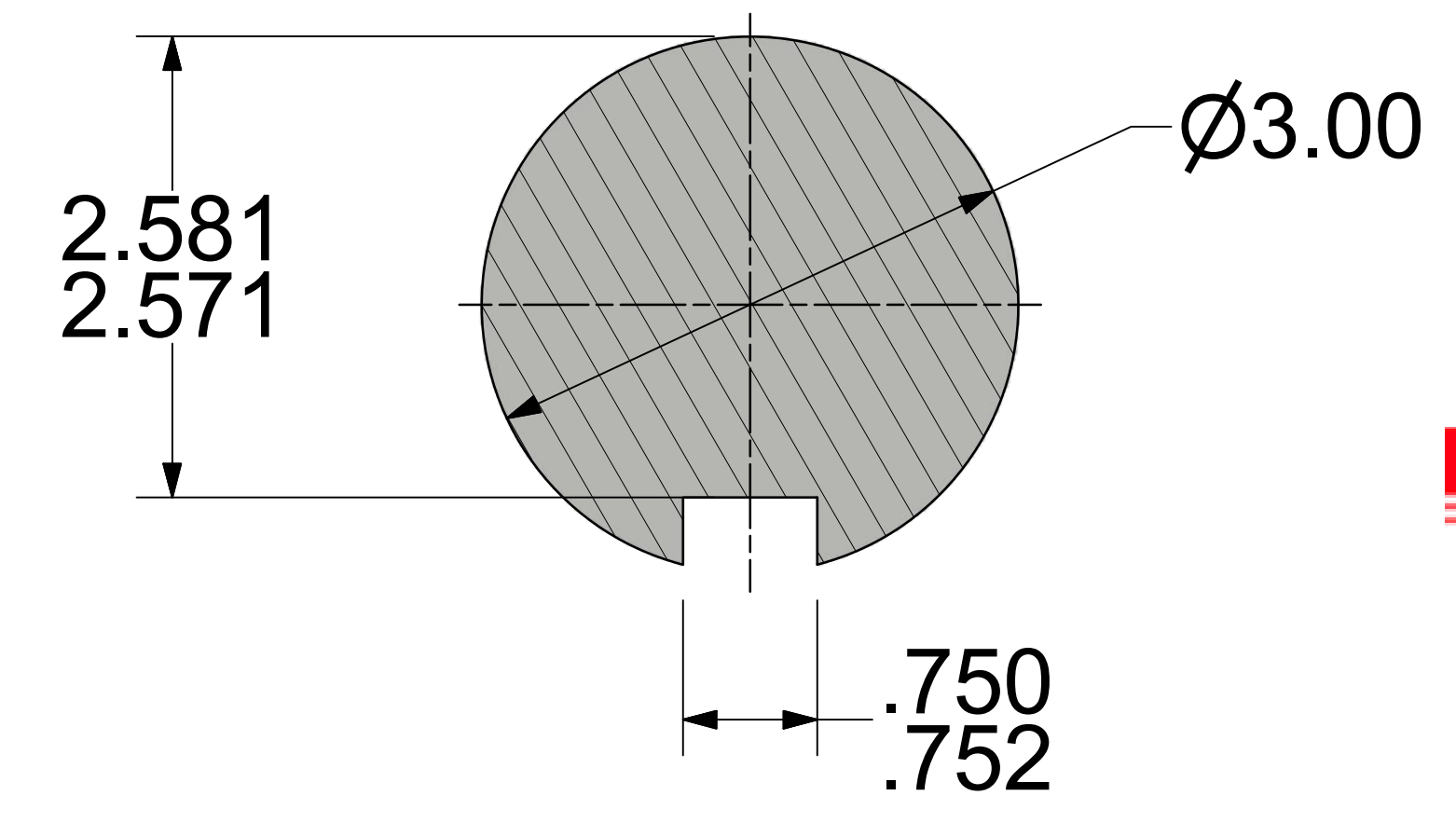
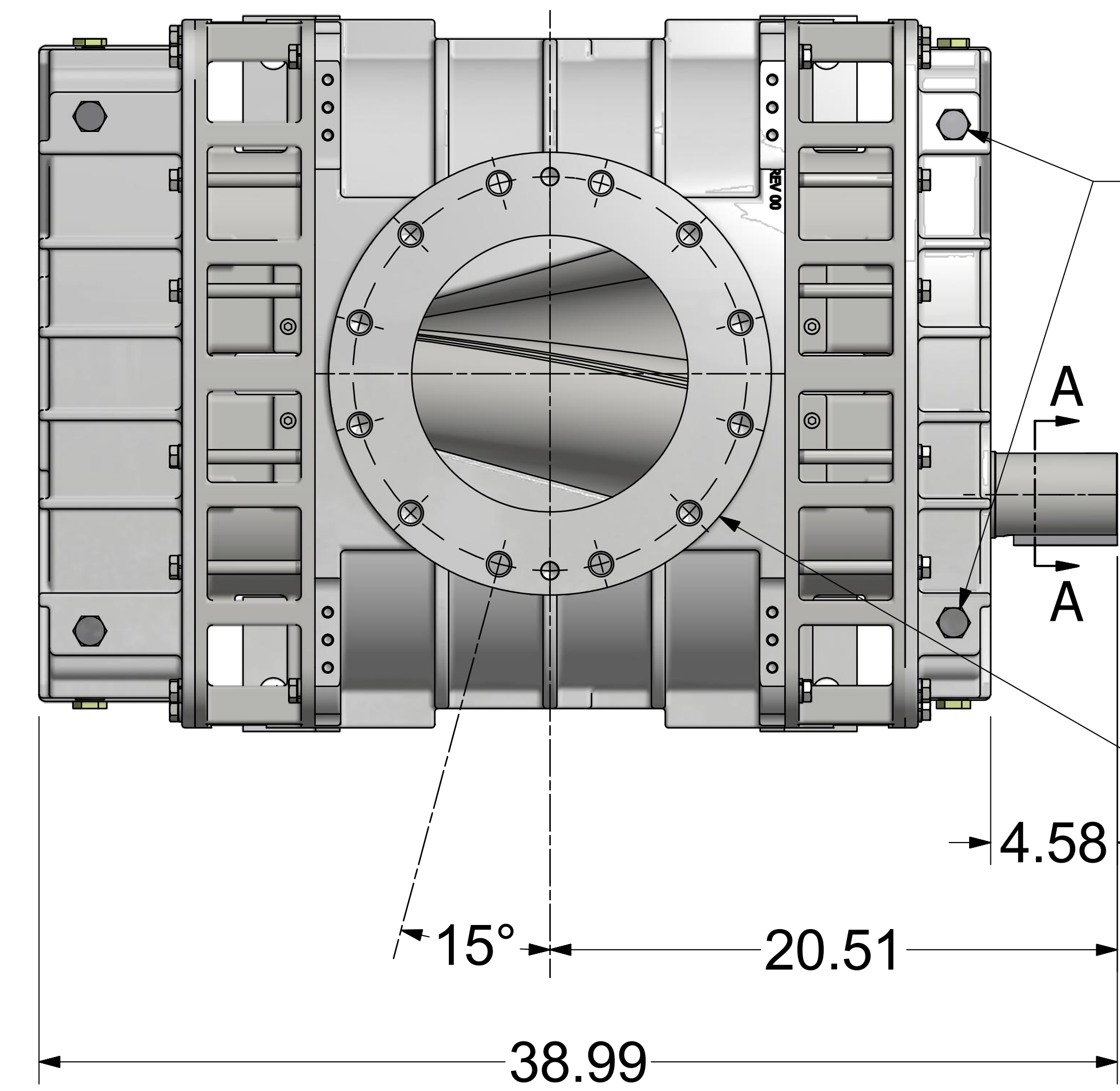
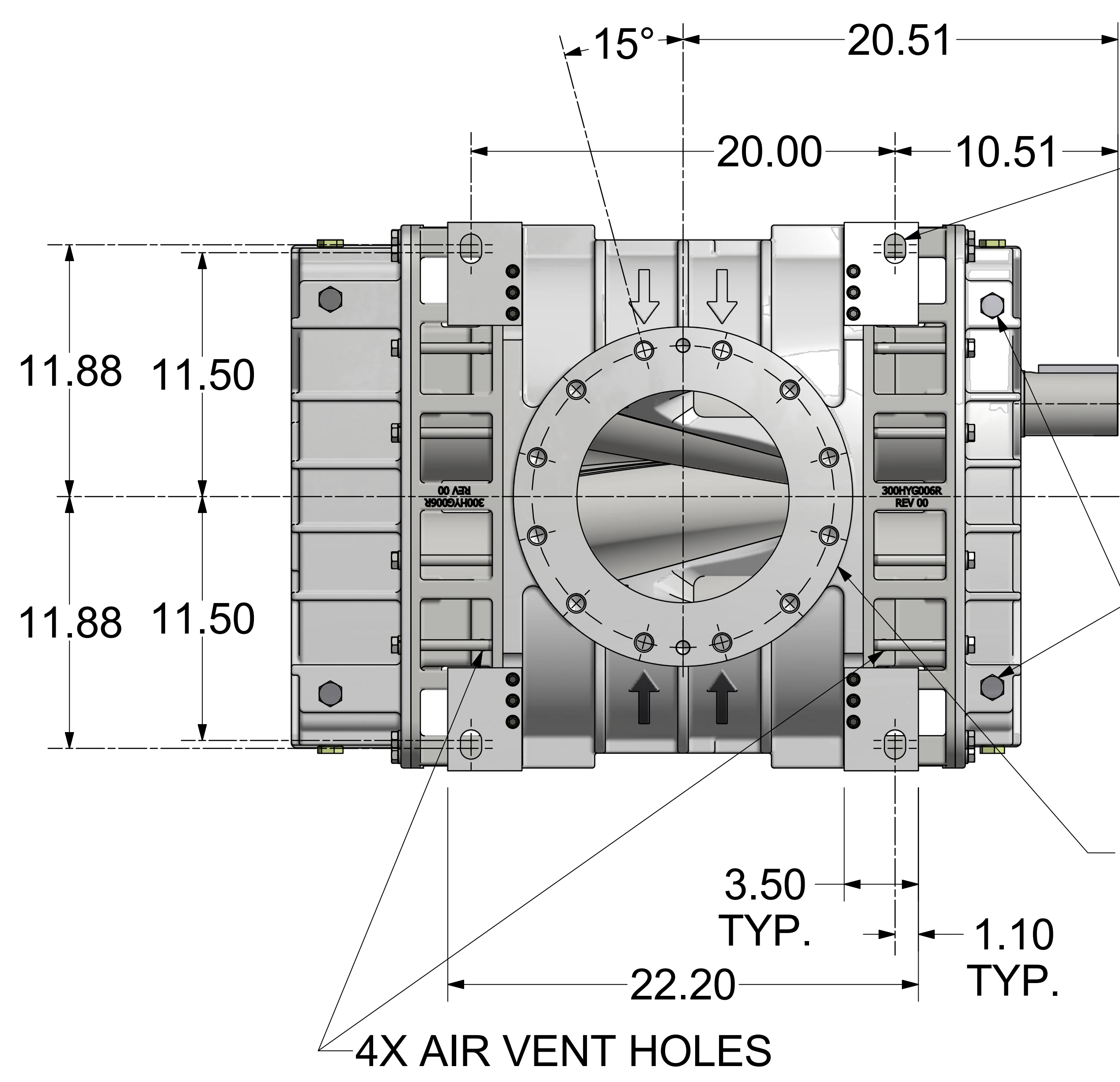
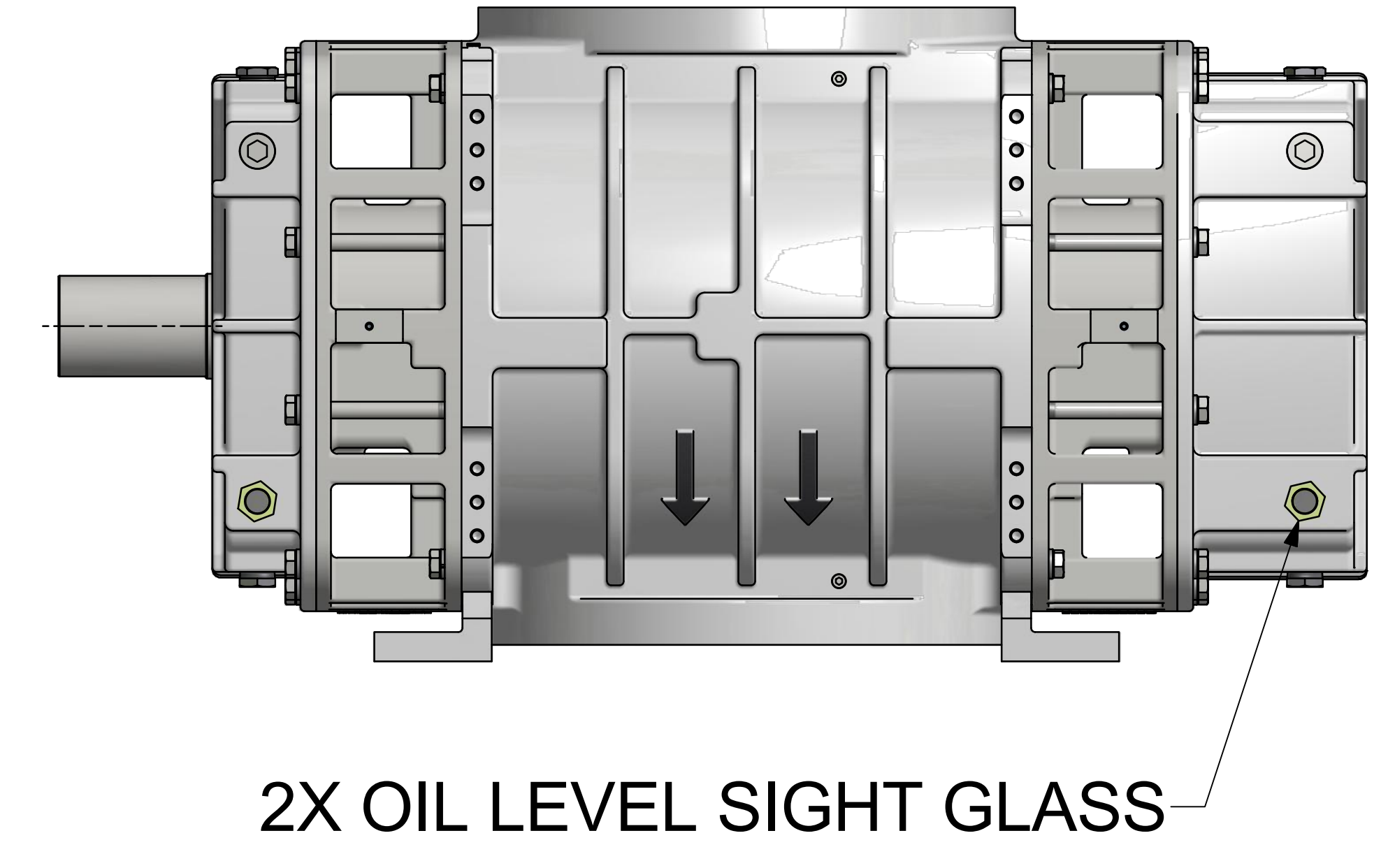
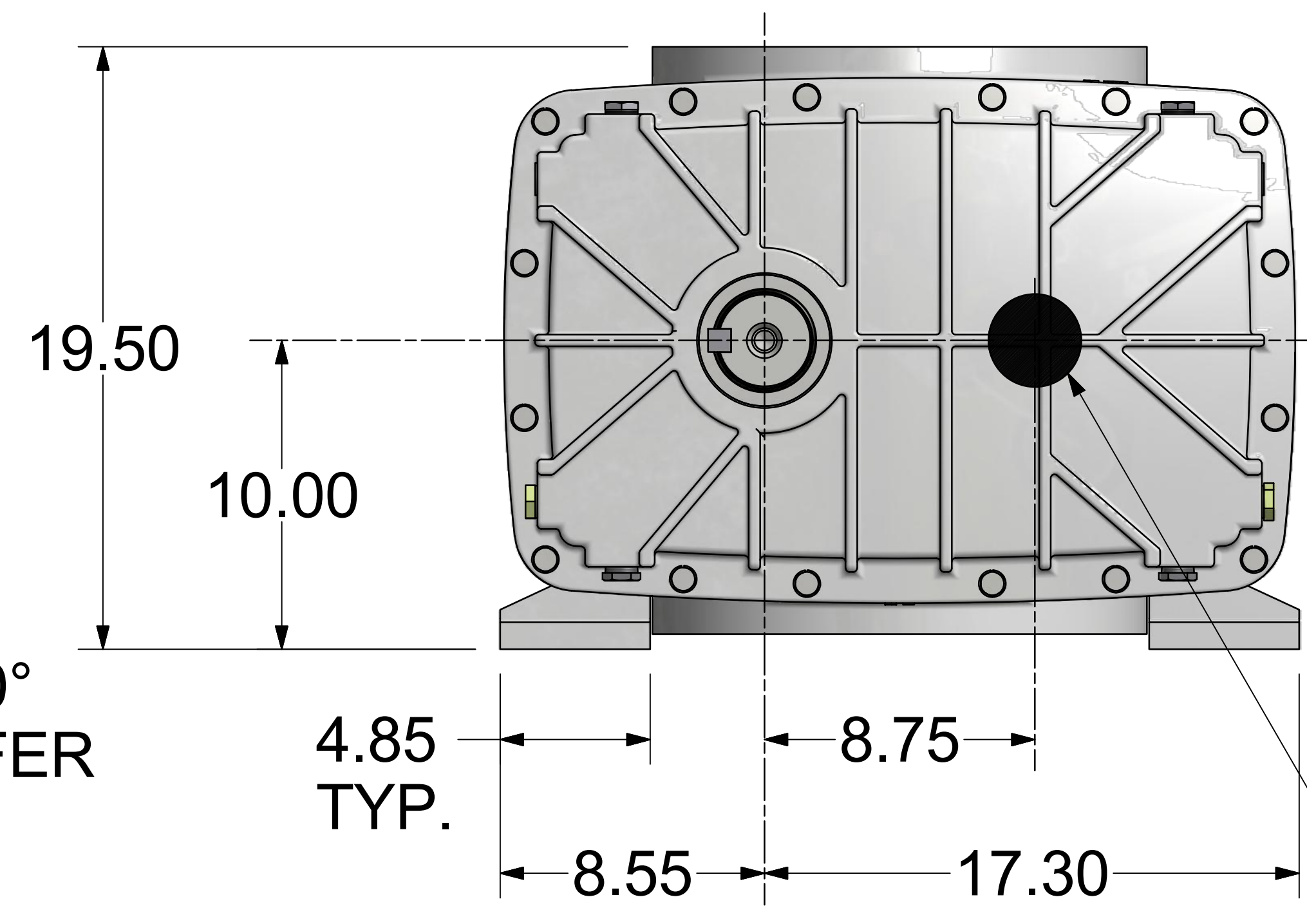
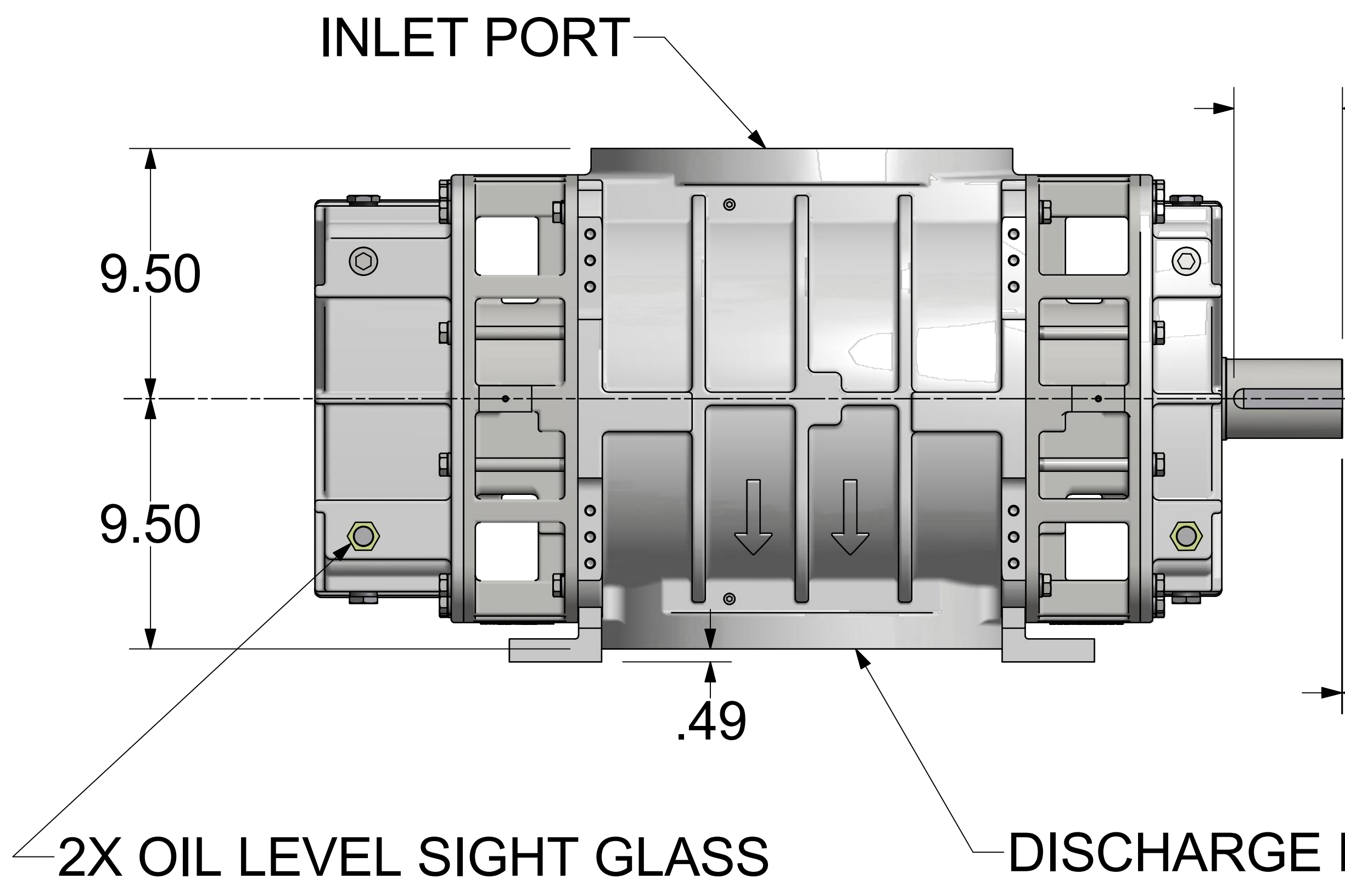


REVISION HISTORY						
ZONE	REV	DESCRIPTION	ECN #	DATE	DWN	CHK
	02	REVISE DIMENSIONS	1116055	3/22/2018	pmc2275	mws0121

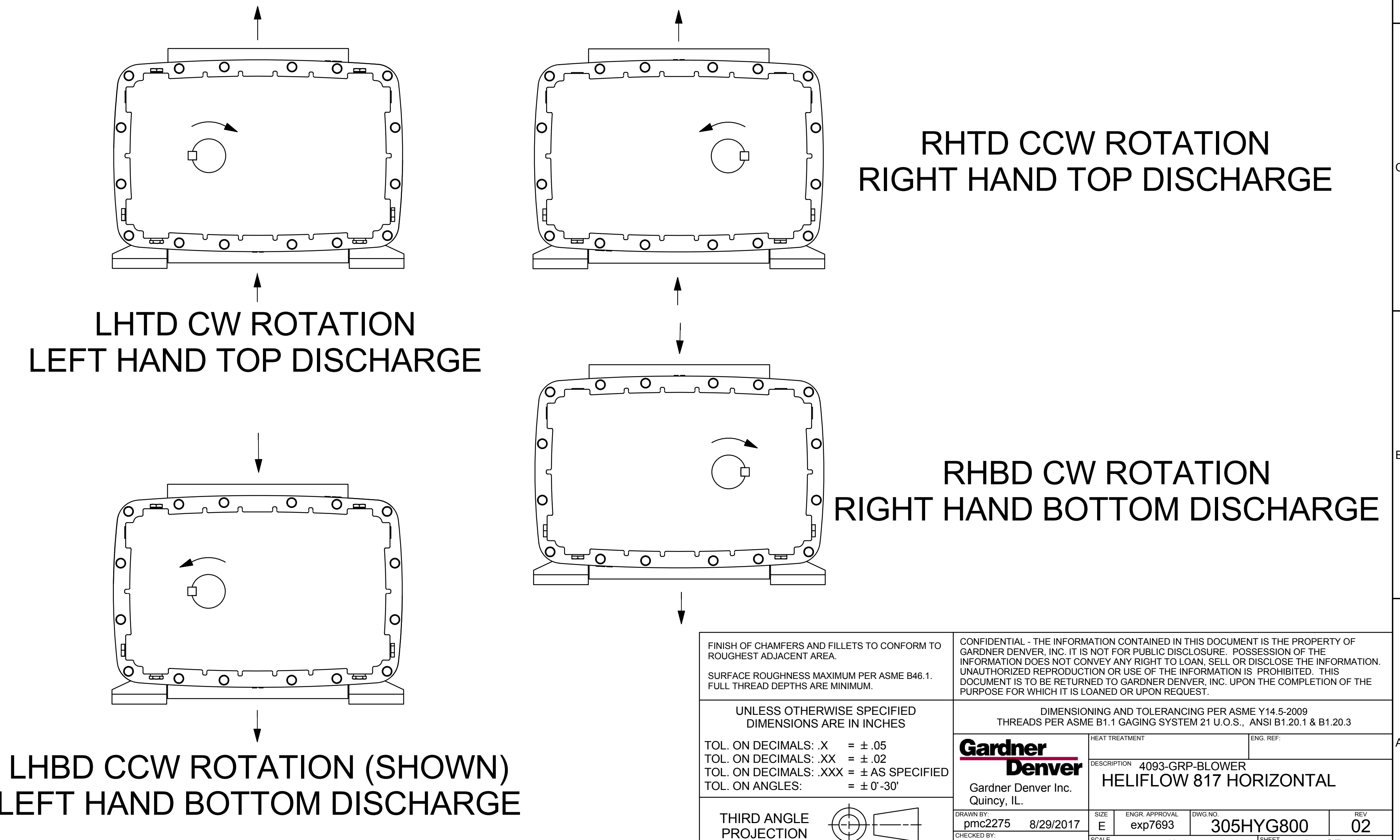


C. Emery Nelson, Inc.
INDUSTRIAL AND POWER PLANT EQUIPMENT

7631 Commerce Street, Hamel, MN 55340
Ph: 763/ 420-3844 Fax: 763/420-2542



DISCHARGE PORT
10 INCH 150LB. FLANGE
12X 7/8-9UNC-2B ∇ 1.25
EQ. SPACED ON \varnothing 14.25 B.C.



FINISH OF CHAMFERS AND FILLETS TO CONFORM TO ROUGHEST ADJACENT AREA. SURFACE ROUGHNESS MAXIMUM PER ASME B46.1. FULL THREAD DEPTHS ARE MINIMUM.		CONFIDENTIAL - THE INFORMATION CONTAINED IN THIS DOCUMENT IS THE PROPERTY OF GARDNER DENVER, INC. IT IS NOT FOR PUBLIC DISCLOSURE. POSSESSION OF THE INFORMATION DOES NOT CONVEY ANY RIGHT TO LOAN, SELL, OR DISCLOSE THE INFORMATION. UNAUTHORIZED REPRODUCTION OR USE OF THE INFORMATION IS PROHIBITED. THIS DOCUMENT IS TO BE RETURNED TO GARDNER DENVER, INC. UPON THE COMPLETION OF THE PURPOSE FOR WHICH IT IS LOANED OR UPON REQUEST.	
UNLESS OTHERWISE SPECIFIED DIMENSIONS ARE IN INCHES		DIMENSIONING AND TOLERANCING PER ASME Y14.5-2009 THREADS PER ASME B1.1 GAGING SYSTEM 21 U.O.S., ANSI B1.20.1 & B1.20.3	
TOL. ON DECIMALS: X = ±.05	TOL. ON DECIMALS: XX = ±.02	Gardner Denver Inc. Quincy, IL	
TOL. ON DECIMALS: XXX = ± AS SPECIFIED	TOL. ON ANGLES: = ± 0°-30'	DESCRIPTION: 4093-GRP-BLOWER HELIFLOW 817 HORIZONTAL	
THIRD ANGLE PROJECTION		DRAWN BY: pmc2275	REV: 02
		DATE: 8/29/2017	
		ENGR. APPROVAL: exp7693	
		SCALE: 1/4	
		DRAWING NO: 305HYG800	
		SHEET: 1	OF: 1