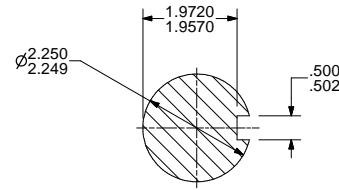


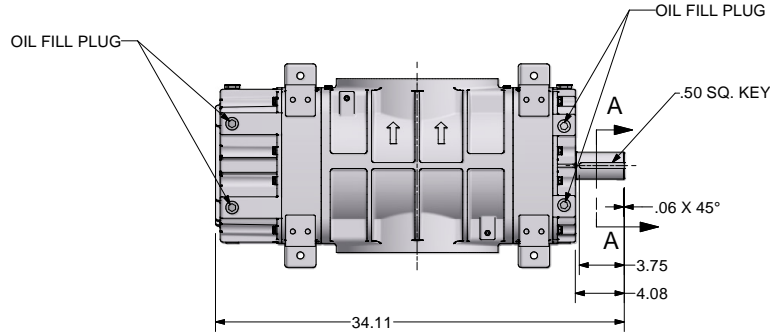
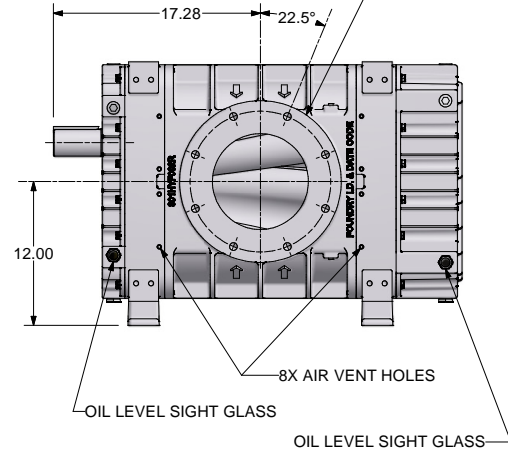
| REVISION HISTORY | | DATE | DWN | CHK |
|------------------|-----|--------------------------|-----|-----|
| ZONE | REV | DESCRIPTION | | |
| | A | RELEASED PER ECN 1037999 | | |

GDHF-DIM-616V
DATE-10/01/07

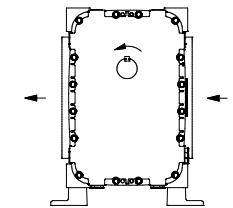
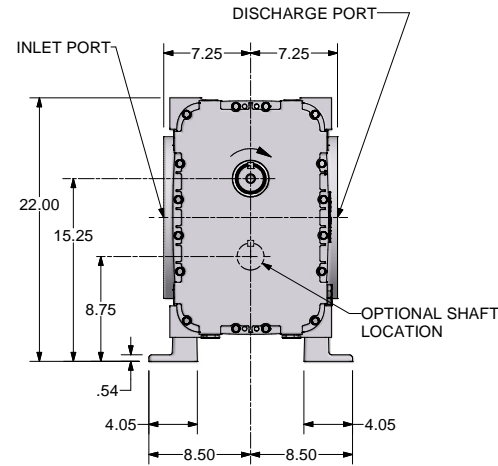
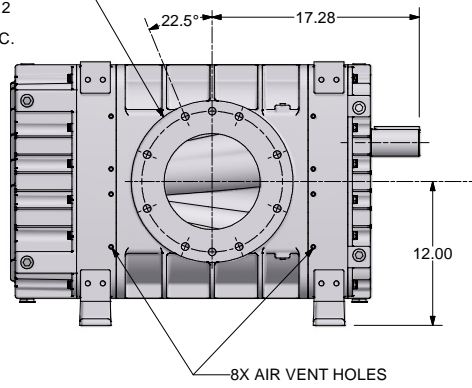


SECTION A-A
SCALE 1 : 1

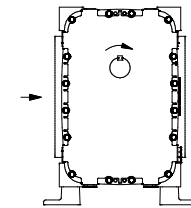
8" 150# FLANGE
8X 3/4-10 UNC-3B ∇ 1.12
EQ. SPACED \varnothing 11.75 B.C.
OUTLET



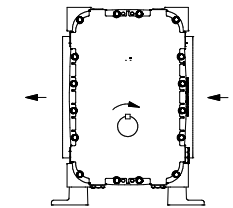
8" 150# FLANGE
8X 3/4-10 UNC-3B ∇ 1.12
EQ. SPACED \varnothing 11.75 B.C.
INLET



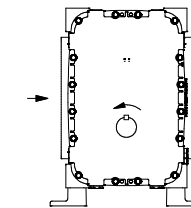
THLD CW ROTATION
TOP HAND LEFT DISCHARGE



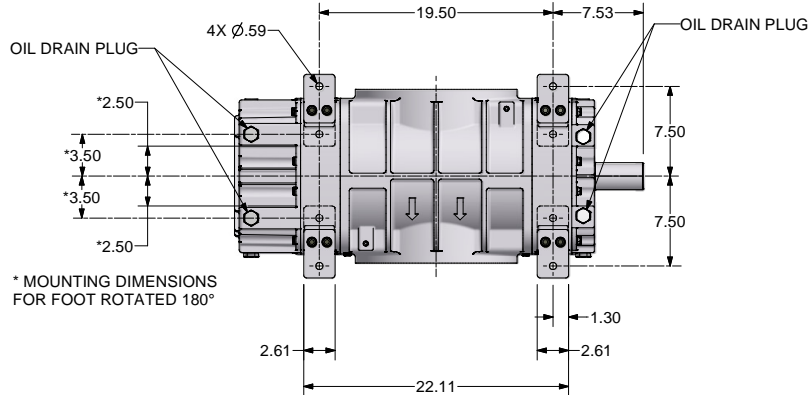
THRD CW ROTATION (SHOWN)
TOP HAND RIGHT DISCHARGE



BHLD CW ROTATION
BOTTOM HAND LEFT DISCHARGE



BHRD CCW ROTATION
BOTTOM HAND RIGHT DISCHARGE



* MOUNTING DIMENSIONS
FOR FOOT ROTATED 180°

C. Emery Nelson, Inc.
INDUSTRIAL AND POWER PLANT EQUIPMENT
7631 Commerce Street, Hamel, MN 55340
Ph: 763/420-3844 Fax: 763/420-2542

| | | | | | |
|---|------------------------------|--|--------------------------|---|--|
| UNLESS OTHERWISE SPECIFIED DIMENSIONS ARE IN INCHES | | FINISH OF CHAMBERS AND FELTS TO CONFORM TO ROUGHEN ADJACENT AREA SURFACE ROUGHNESS MAXIMUM PER ASME B46.1. FULL THREAD DEPTHS ARE MINIMUM. | | CONFIDENTIAL - THE INFORMATION CONTAINED IN THIS DOCUMENT IS THE PROPERTY OF GARDNER DENVER, INC. IT IS NOT FOR PUBLIC DISCLOSURE. POSSESSION OF THE INFORMATION DOES NOT CONVEY ANY RIGHT TO CLAIM, SELL, OR DISCLOSE THE INFORMATION. UNAUTHORIZED REPRODUCTION OR USE OF THE INFORMATION IS PROHIBITED. THIS DOCUMENT IS TO BE RETURNED TO GARDNER DENVER, INC. UPON THE COMPLETION OF THE PURPOSE FOR WHICH IT IS LOANED OR UPON REQUEST. | |
| TOL. ON DECIMALS: X - ± .05 | TOL. ON DECIMALS: XX - ± .02 | TOL. ON DECIMALS: XXX - ± .01 AS SPECIFIED | TOL. ON ANGLES: ± 0°-30' | DIMENSIONING AND TOLERANCING PER ASME Y14.5M-1994 | |
| Gardner Denver Inc. Quincy, IL | | HEAT TREATMENT | | ENG. REF: | |
| DWN BY: RRB 10/8/2007 | | E WSC | | TITLE: OUTLINE-BARE UNIT | |
| C/D BY: RNS 10/8/2007 | | 306HYF800 | | HELIFLOW 616 VERTICAL | |
| THIRD ANGLE PROJECTION | | 1/2 | | 1 of 1 | |