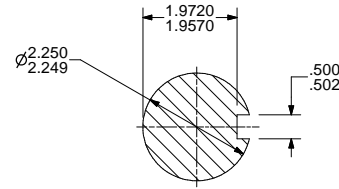
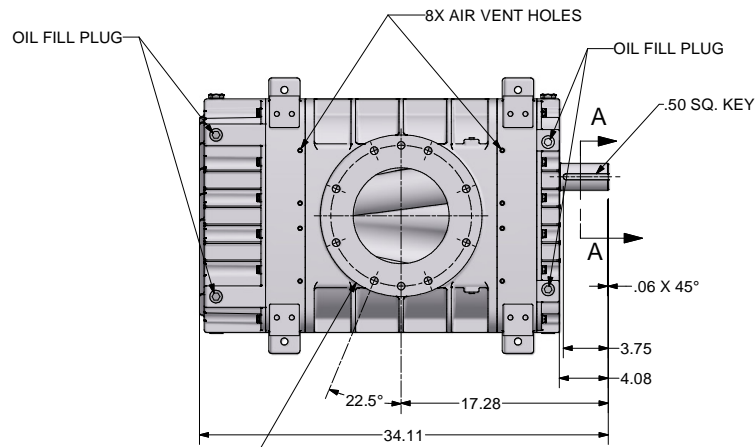


REVISION HISTORY		DATE	DWN	CHK
ZONE	REV	DESCRIPTION		
	A	RELEASED PER ECN 1037999		

GDHF-DIM-616H
DATE-10/01/07

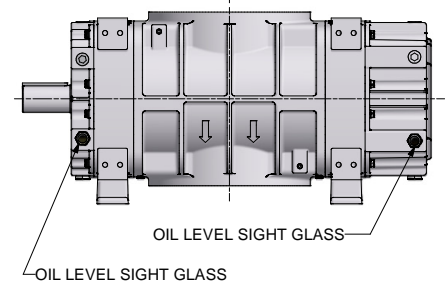
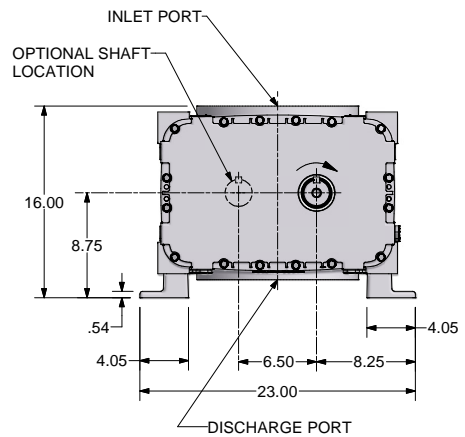
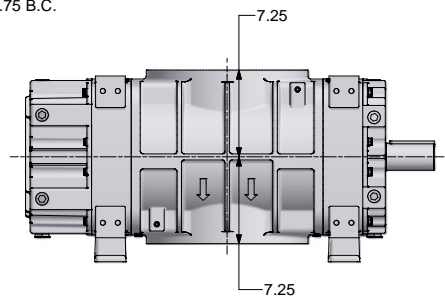


SECTION A-A
SCALE 1 : 1

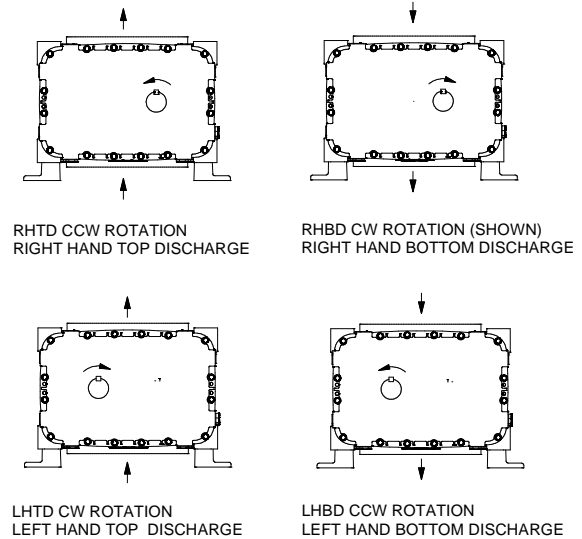
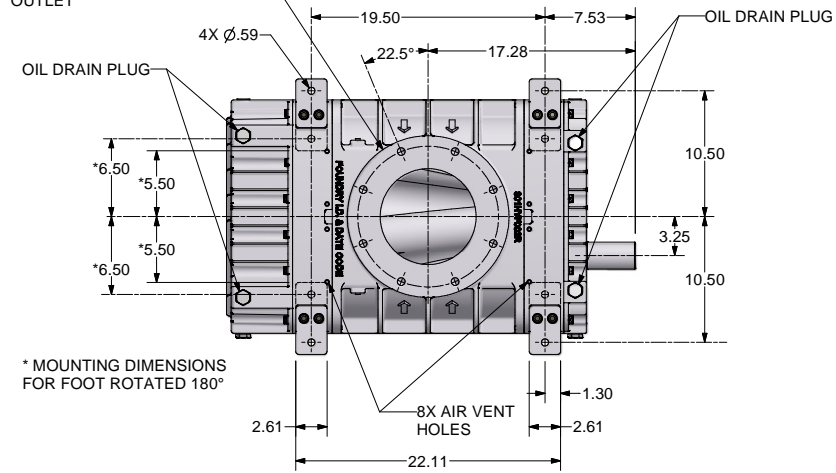


7631 Commerce Street, Hamel, MN 55340
Ph: 763/420-3844 Fax: 763/420-2542

8" 150# FLANGE
8X 3/4-10 UNC-3B ∇ 1.12
EQ. SPACED ϕ 11.75 B.C.
INLET



8" 150# FLANGE
8X 3/4-10 UNC-3B ∇ 1.12
EQ. SPACED ϕ 11.75 B.C.
OUTLET



UNLESS OTHERWISE SPECIFIED DIMENSIONS ARE IN INCHES		TOL. ON DECIMALS: X - ± .05		TOL. ON DECIMALS: XX - ± .02		TOL. ON DECIMALS: XXX - ± .01 AS SPECIFIED		TOL. ON ANGLES: ± 0°30'	
THIRD ANGLE PROJECTION		Gardner Denver Inc. Quincy, IL		HEAT TREATMENT		ENG. REF:		TITLE	
		DWN BY: RRB 10/8/2007		E		WCS		307HYF800	
		C/D BY: RNS 10/8/2007		E		WCS		307HYF800	

CONFIDENTIAL - THE INFORMATION CONTAINED IN THIS DOCUMENT IS THE PROPERTY OF GARDNER DENVER, INC. IT IS NOT FOR PUBLIC DISCLOSURE. POSSESSION OF THE INFORMATION DOES NOT CONVEY ANY RIGHT TO CLAIM, SELL, OR DISCLOSE THE INFORMATION. UNAUTHORIZED REPRODUCTION OR USE OF THE INFORMATION IS PROHIBITED. THIS DOCUMENT IS TO BE RETURNED TO GARDNER DENVER, INC. UPON THE COMPLETION OF THE PURPOSE FOR WHICH IT IS LOANED OR UPON REQUEST.

DIMENSIONING AND TOLERANCING PER ASME Y14.5M-1994
THREADS PER ASME B1.1 GAUGING SYSTEM G1.6 (D. 2). ANS B1.20.1 & B1.20.3

HEAT TREATMENT
Gardner Denver Inc. Quincy, IL
TITLE: OUTLINE-BARE UNIT
HELIFLOW 616 HORIZONTAL
307HYF800