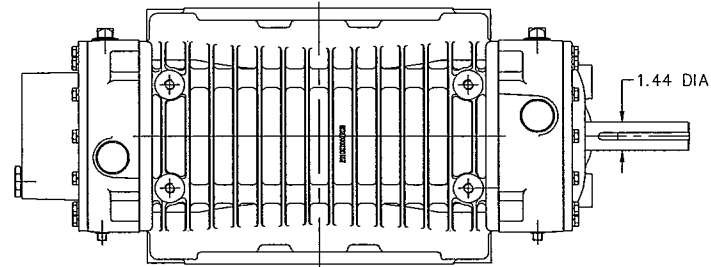
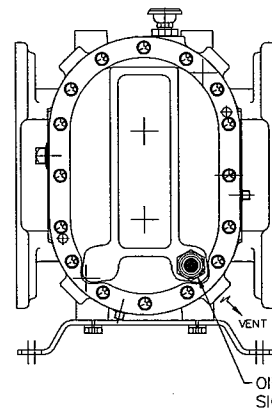


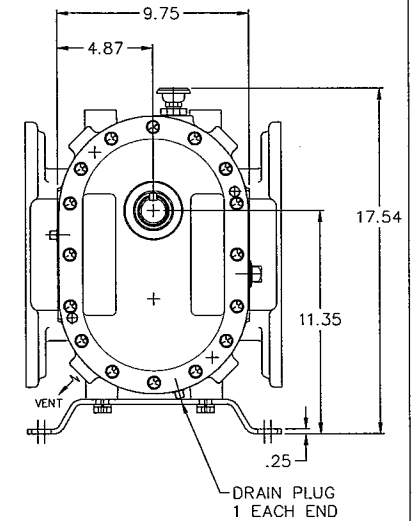
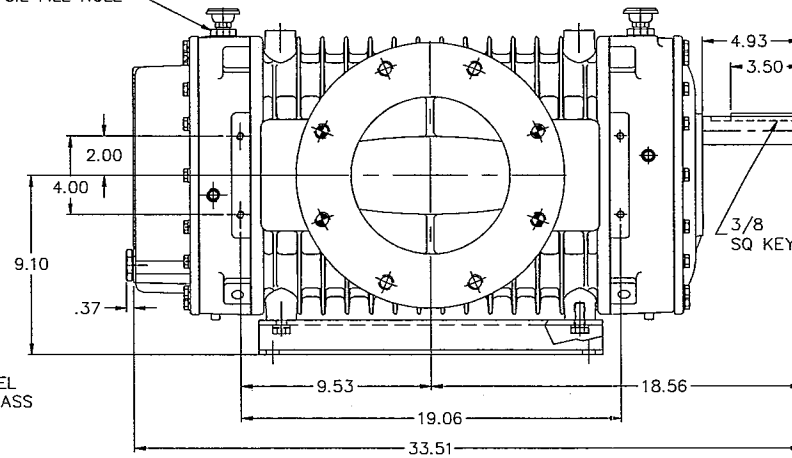
BOTTOM VIEW A-A



CONSTRUCTION	ROTATION	DISCHARGE PORT
VERTICAL-TOP	CLOCKWISE [CW]	RIGHT
	COUNTER-CLOCKWISE [CCW]	LEFT



BREATHER &  
OIL FILL HOLE



A ↑

↑ A



**C.Emery Nelson, Inc.**

INDUSTRIAL AND POWER PLANT EQUIPMENT

7631 Commerce Street, Hamel, MN 55340  
Ph: 763/420-3844 Fax: 763/420-2542

CONFIDENTIAL - THE INFORMATION CONTAINED IN THIS DOCUMENT IS THE PROPERTY OF GARDNER DENVER MACHINERY INC. IT IS NOT FOR PUBLIC DISCLOSURE. POSSESSION OF THE INFORMATION DOES NOT CONVEY ANY RIGHT TO LOAN, SELL OR DISCLOSE THE INFORMATION. UNAUTHORIZED REPRODUCTION OR USE OF THE INFORMATION IS PROHIBITED. THIS DOCUMENT IS TO BE RETURNED TO GARDNER DENVER MACHINERY INC. UPON COMPLETION OF THE PURPOSE FOR WHICH IT IS LOANED OR UPON REQUEST.

REV	REVISION	DATE	BY	CHK	APP	LET.	REV	REVISION	DATE	BY	CHK	APP	LET.	REV	REVISION	DATE	BY	CHK	APP	LET.	
A	RELEASED (ECN 1008424)																				

**Gardner Denver**  
Gardner Denver Inc.  
Peachtree City, Georgia

TOLERANCES: UNLESS OTHERWISE SPECIFIED  
DECIMAL .XX ± .02 .XXX ± .010  
NON-DECIMAL ± 1/16 ANGLES ± 1°  
HEAT TREAT SPEC.

SHEET 1 OF 1

FOR ALL CURRENT SPECIFICATIONS REFER TO BILL OF MATERIAL

OUTLINE-BARE UNIT  
4518 VT

SCALE: 1 = 3

317GDB00  
FILE NO. ID CAD/CAM