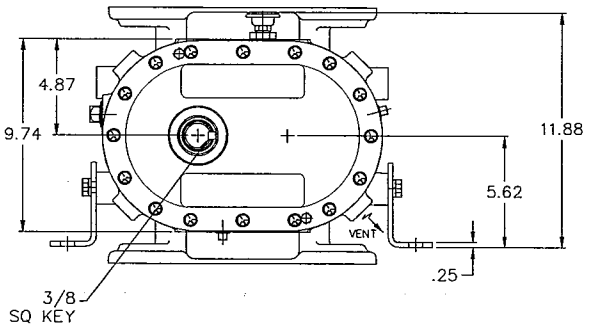
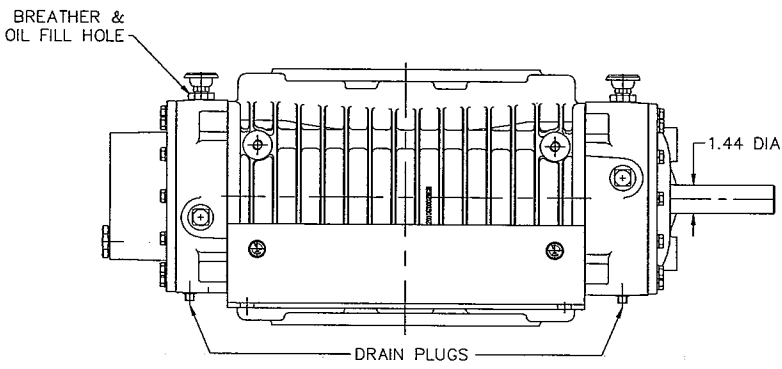
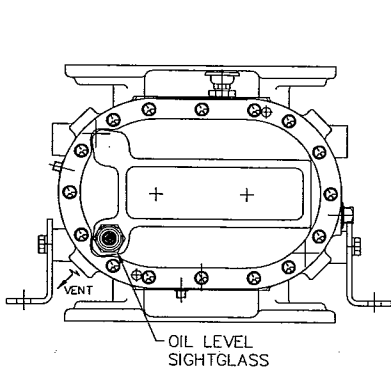


CONSTRUCTION	ROTATION	DISCHARGE PORT
HORIZONTAL-L	CLOCKWISE [CW]	TOP
	COUNTER-CLOCKWISE [CCW]	BOTTOM



C. Emery Nelson, Inc.

INDUSTRIAL AND POWER PLANT EQUIPMENT

7631 Commerce Street, Hamel, MN 55340
 Ph: 763/420-3844 Fax: 763/420-2542

CONFIDENTIAL - THE INFORMATION CONTAINED IN THIS DOCUMENT IS THE PROPERTY OF GARDNER DENVER MACHINERY INC. IT IS NOT FOR PUBLIC DISCLOSURE. POSSESSION OF THE INFORMATION DOES NOT CONVEY ANY RIGHT TO LOAN, SELL OR DISCLOSE THE INFORMATION. UNAUTHORIZED REPRODUCTION OR USE OF THE INFORMATION IS PROHIBITED. THIS DOCUMENT IS TO BE RETURNED TO GARDNER DENVER MACHINERY INC. UPON COMPLETION OF THE PURPOSE FOR WHICH IT IS LOANED OR UPON REQUEST.

REV.	REVISION	DATE	BY	CHK.	APP.	REV.	DATE	BY	CHK.
A	RELEASED (ECN 1008424)								
B	MTG HOLE WAS .53 (ECN 1009115)	1/18	SS	SM					

FRESH OF CHAMBERS & PILETS TO CONFORM TO ROUGHEST ADJACENT AREA

Gardner Denver
 Gardner Denver Inc.
 Peachtree City, Georgia

TOLERANCES: UNLESS OTHERWISE SPECIFIED
 DECIMAL .XX ± .02 .XXX ± .010
 NON-DECIMAL ± 1/16 ANGLES ± 1°

FOR ALL CURRENT SPECIFICATIONS REFER TO BILL OF MATERIAL

NAME: OUTLINE-BARE UNIT
 4518 HL

DATE: 9-11-00
 DRAWN BY: SWY
 CHECKED BY: JPP
 SCALE: 1 = 3

319GDB800
 FILE NO. D CAD/CAM

SHEET 1 OF 1