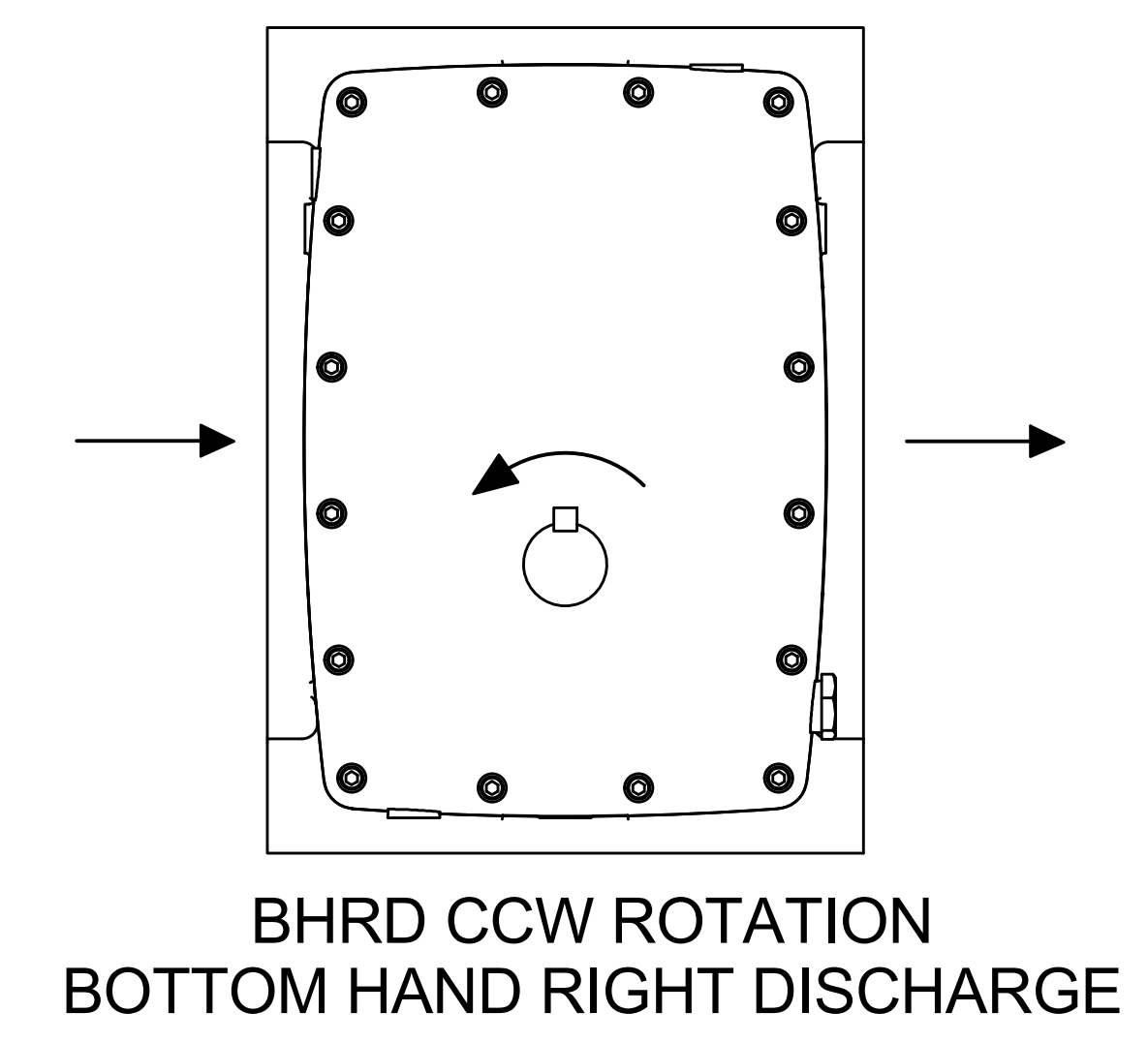
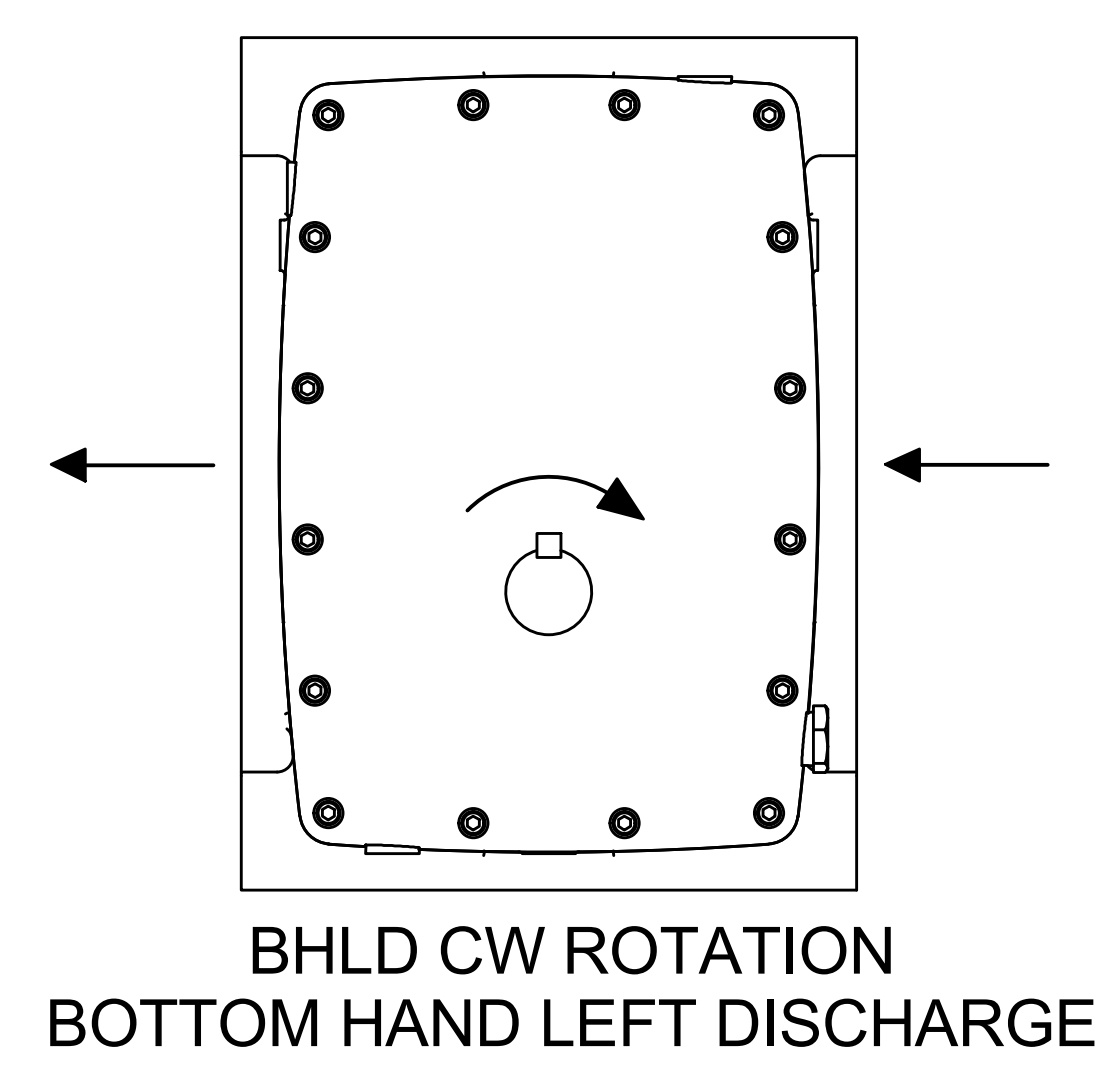
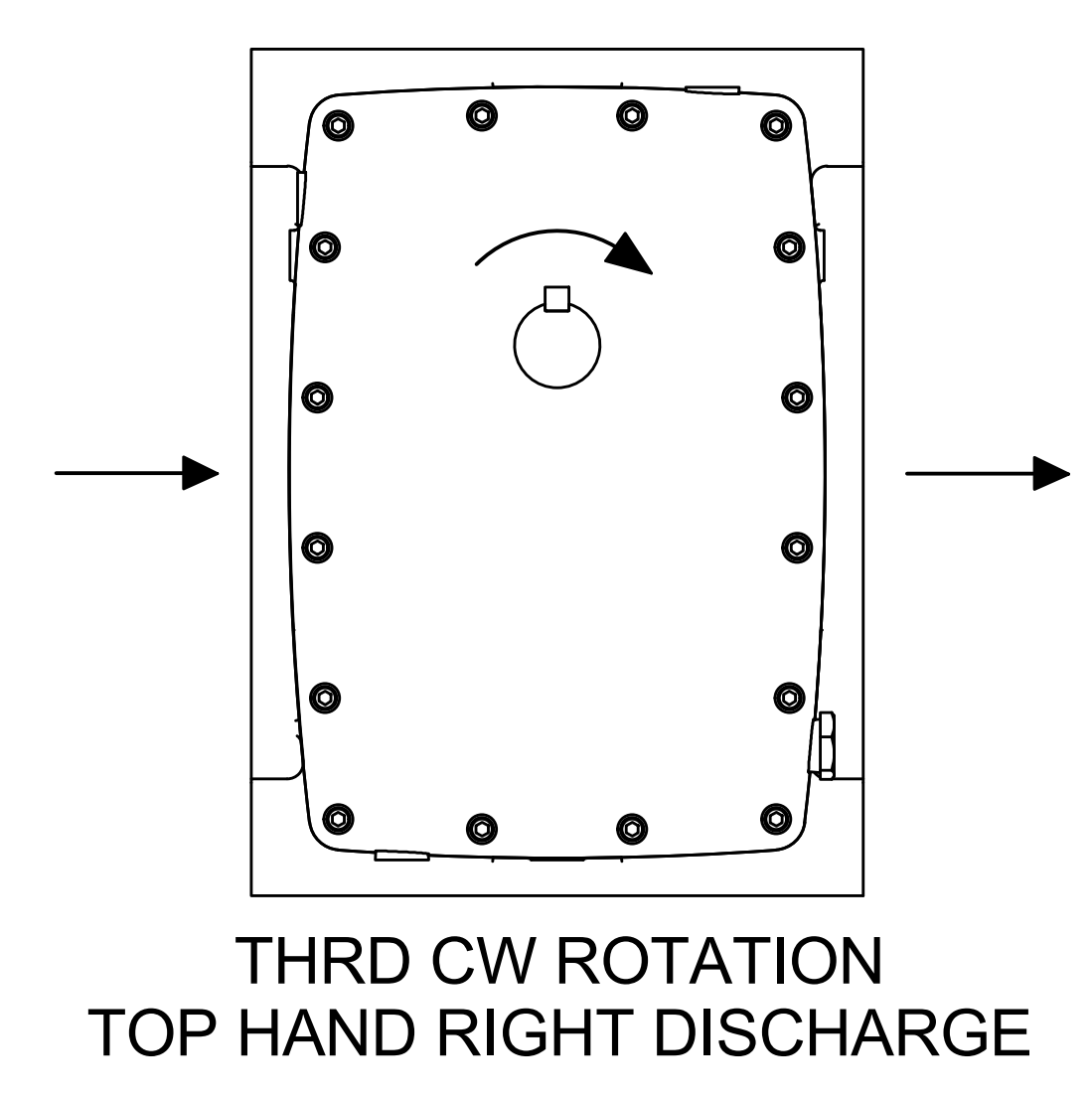
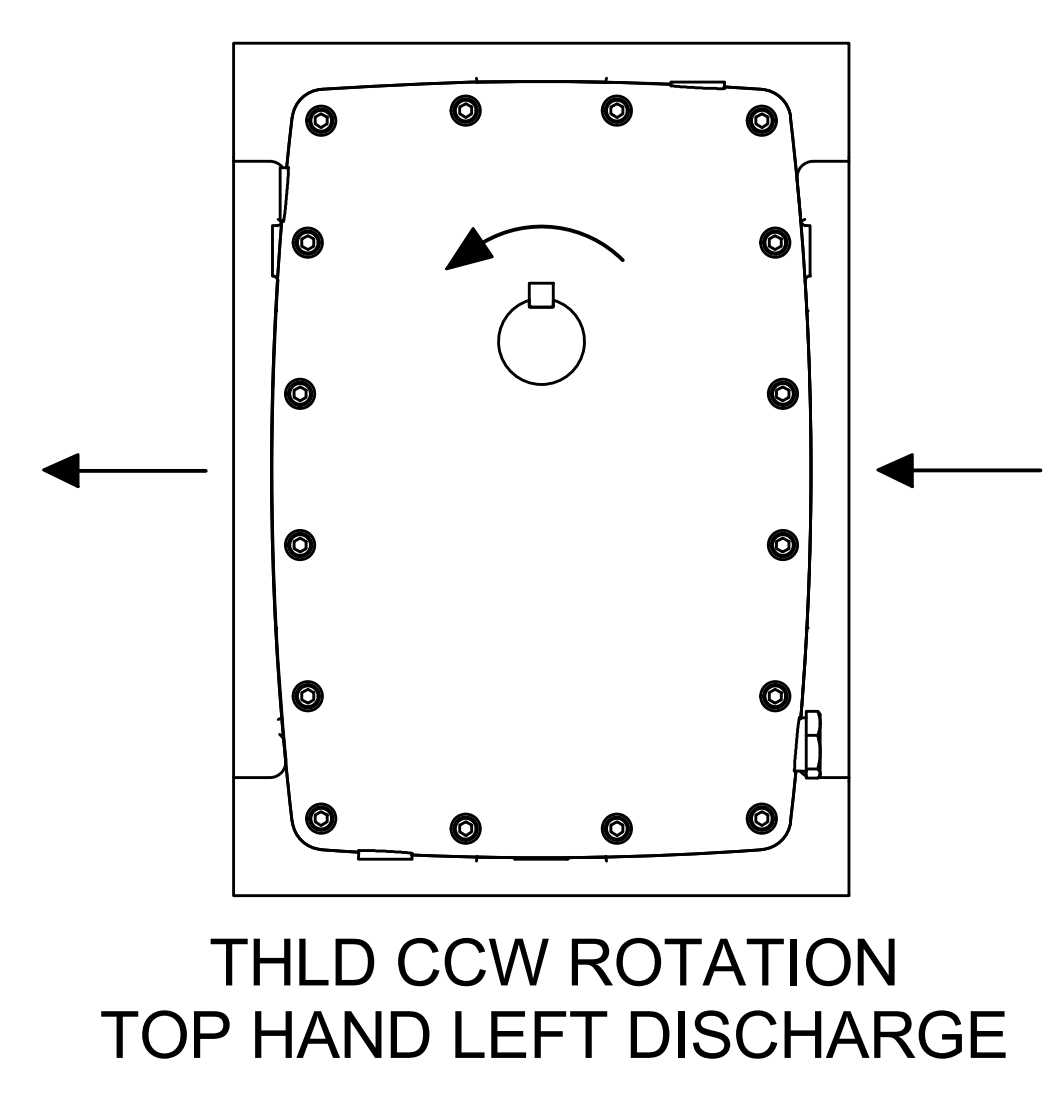
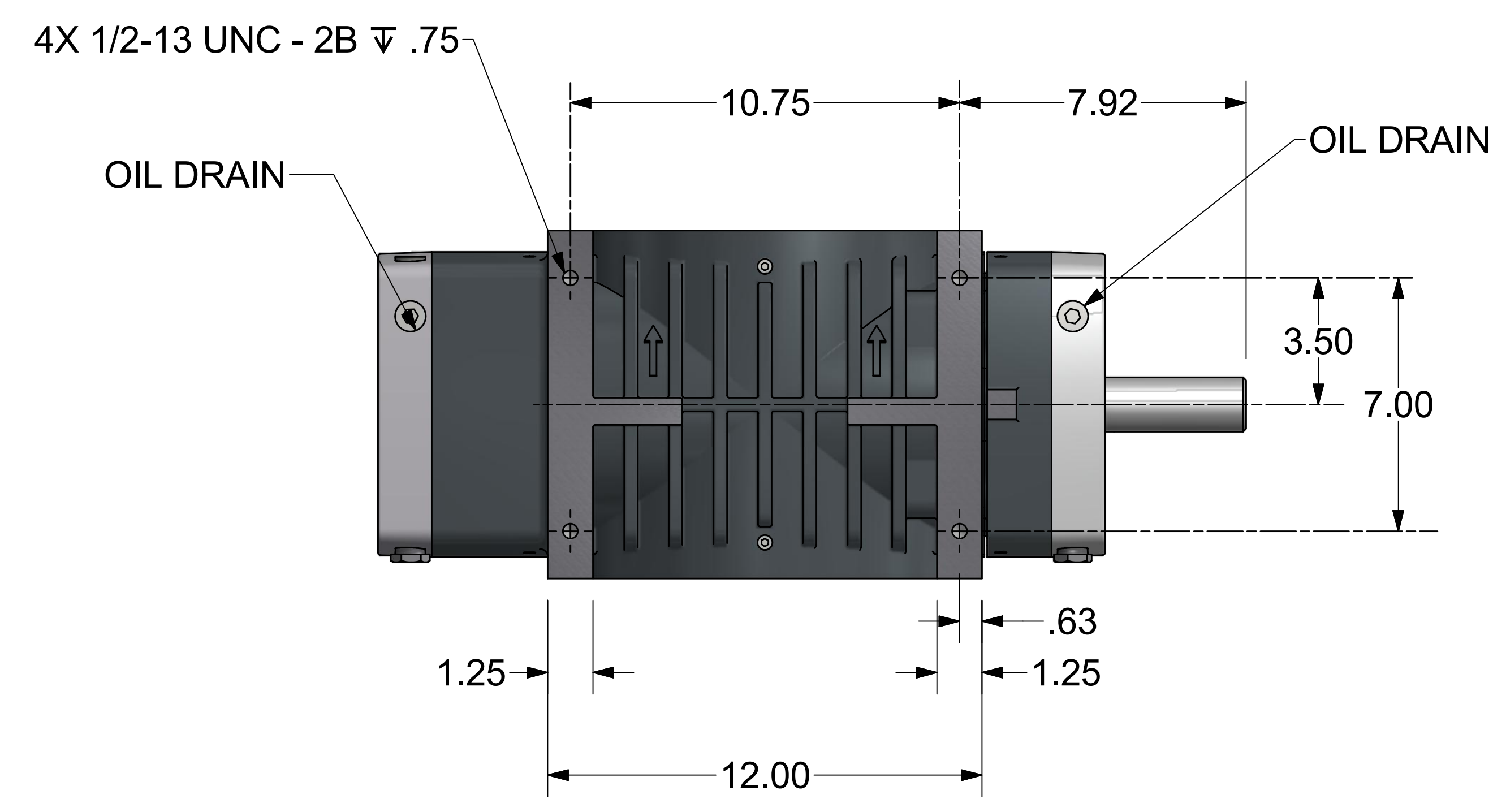
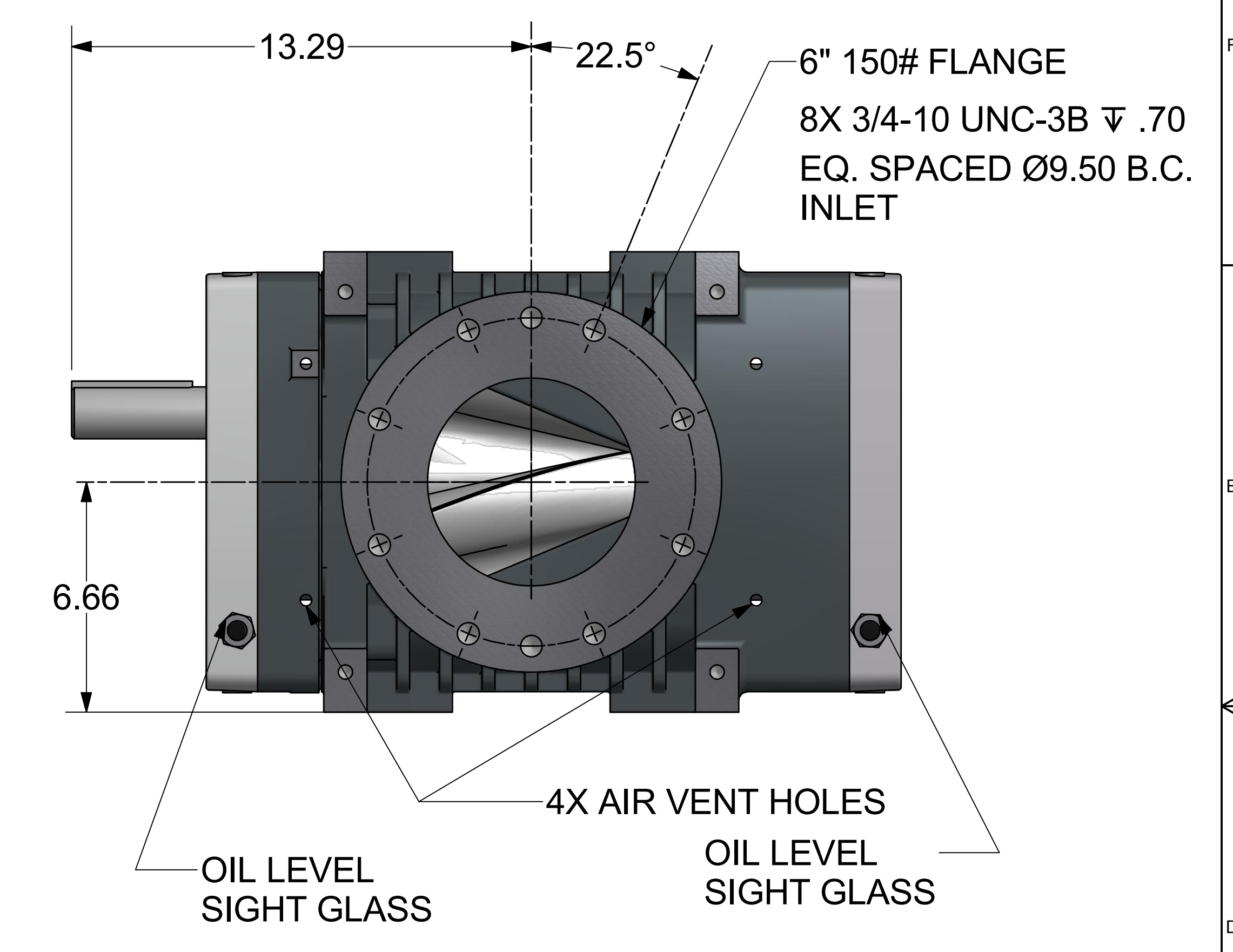
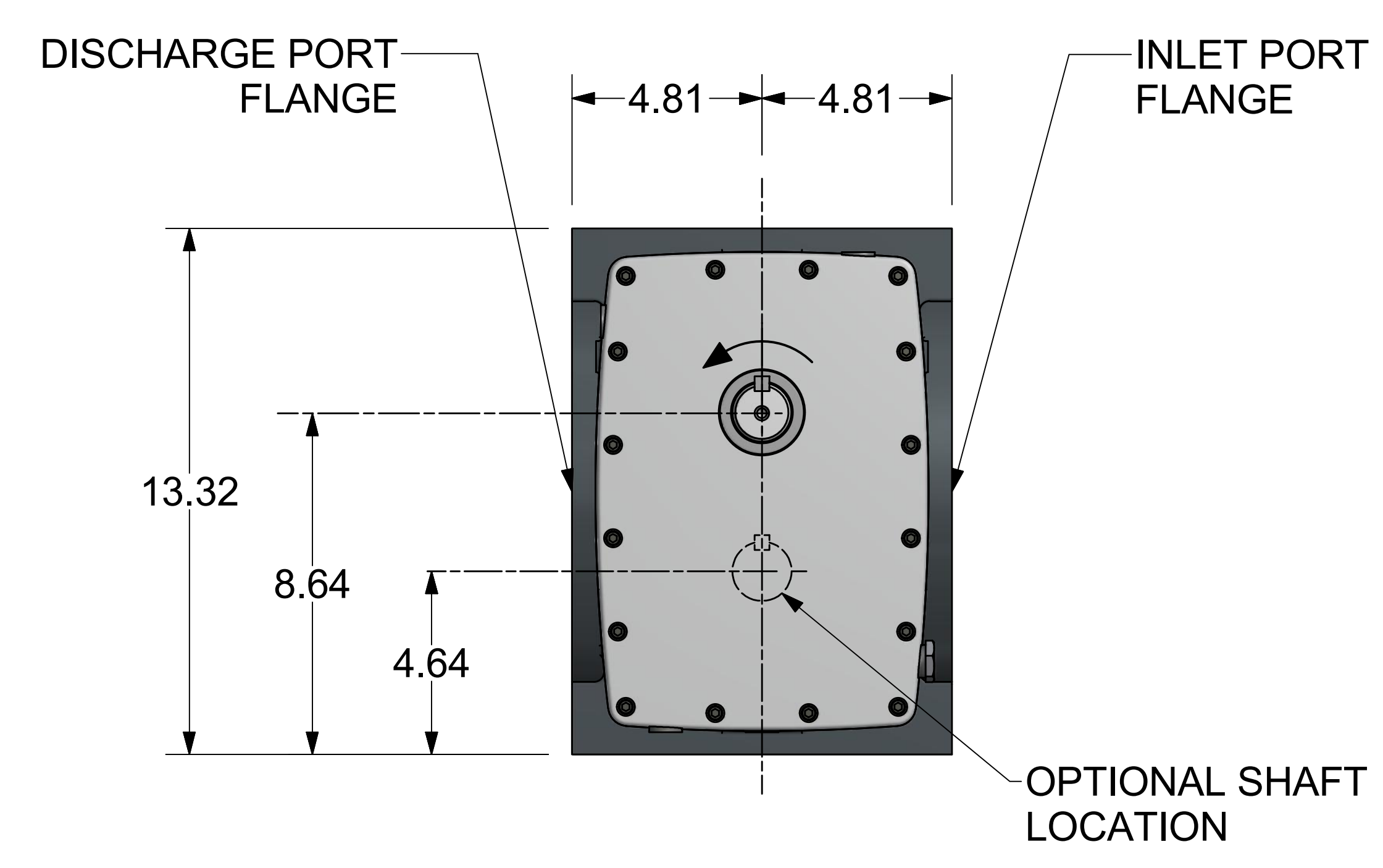
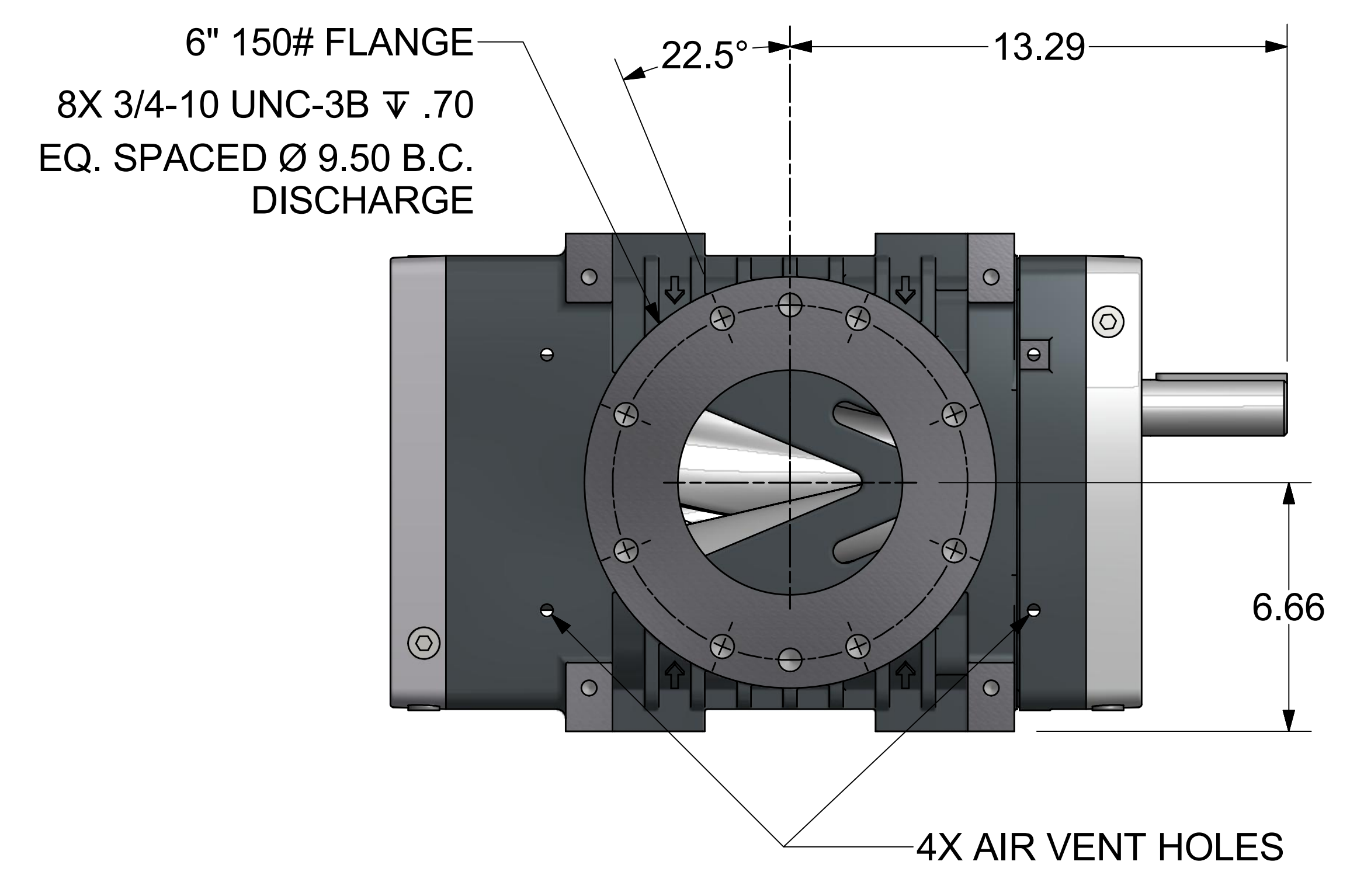
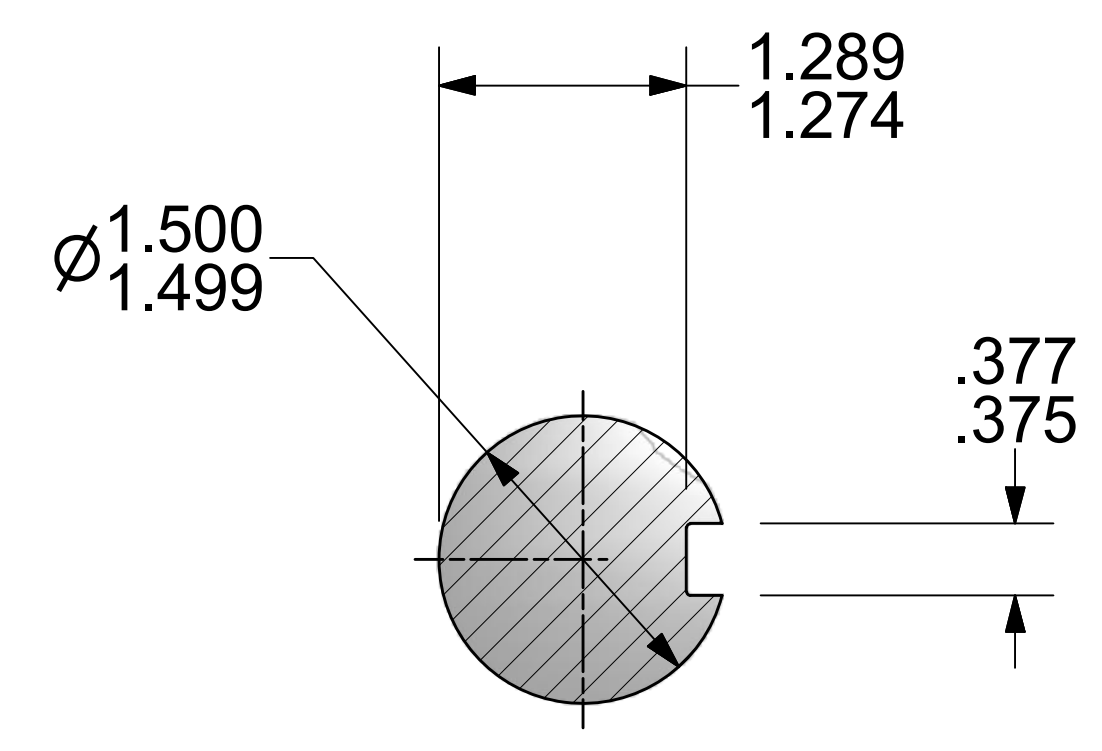
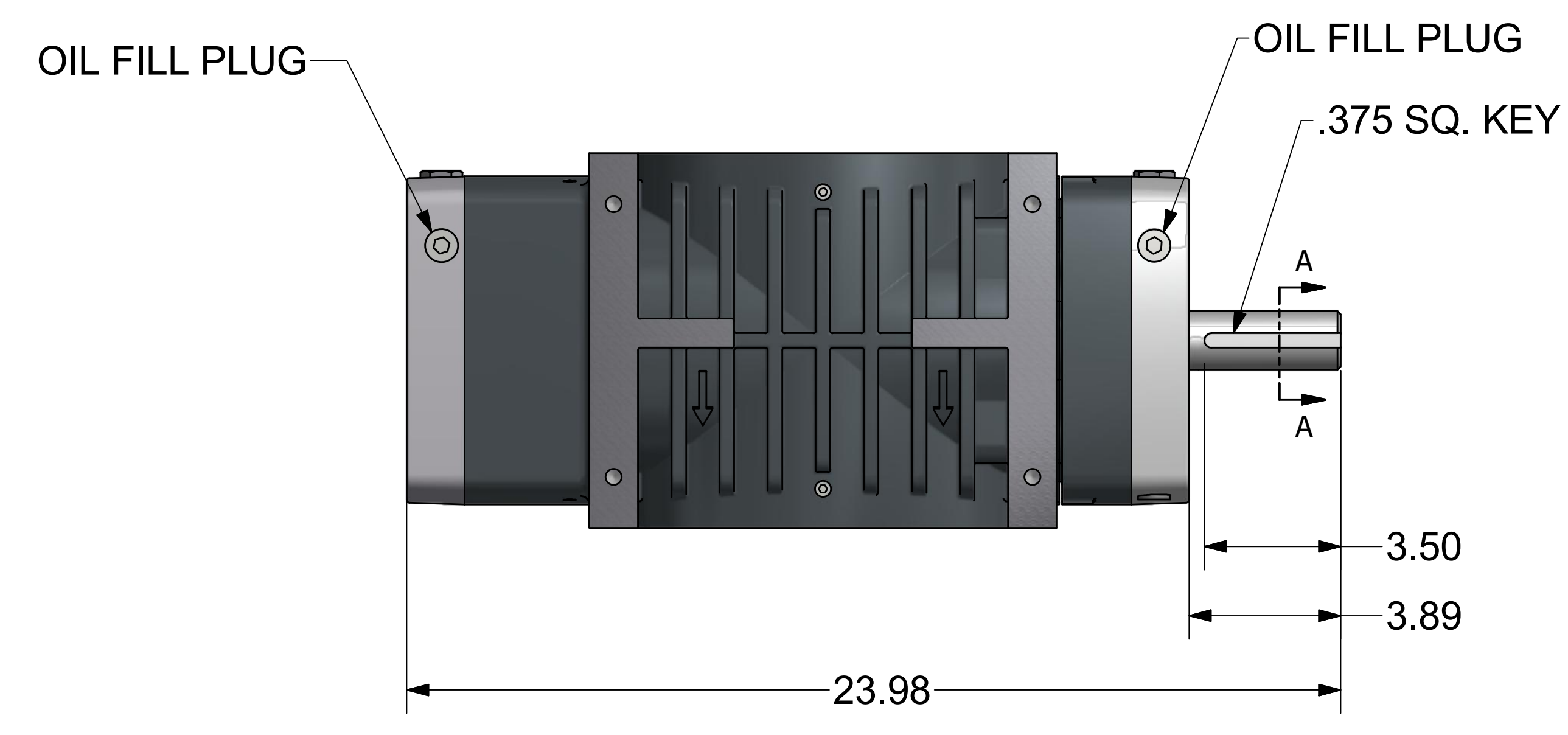


REVISION HISTORY		DATE	DWN	CHK
ZONE	REV	DESCRIPTION		
	A	RELEASED PER ECN 1080006	12/9/13	TAM

**C. Emery Nelson, Inc.**  
INDUSTRIAL AND POWER PLANT EQUIPMENT  
7631 Commerce Street, Hamel, MN 55340  
Ph: 763/ 420-3844 Fax: 763/420-2542



WEIGHT - 291 LBS

FINISH OF CHAMFERS AND FILLETS TO CONFORM TO ROUGHEST ADJACENT AREA. SURFACE ROUGHNESS MAXIMUM PER ASME B46.1. FULL THREAD DEPTHS ARE MINIMUM.		CONFIDENTIAL - THE INFORMATION CONTAINED IN THIS DOCUMENT IS THE PROPERTY OF GARDNER DENVER, INC. IT IS NOT FOR PUBLIC DISCLOSURE. POSSESSION OF THE INFORMATION DOES NOT CONVEY ANY RIGHT TO LOAN, SELL OR DISCLOSE THE INFORMATION. UNAUTHORIZED REPRODUCTION OR USE OF THE INFORMATION IS PROHIBITED. THIS DOCUMENT IS TO BE RETURNED TO GARDNER DENVER, INC. UPON THE COMPLETION OF THE PURPOSE FOR WHICH IT IS LOANED OR UPON REQUEST.	
UNLESS OTHERWISE SPECIFIED DIMENSIONS ARE IN INCHES		DIMENSIONING AND TOLERANCING PER ASME Y14.5-2009	
TOL. ON DECIMALS: .X = ± .05		THREADS PER ASME B1.1 GAGING SYSTEM 21 U.O.S., ANSI B1.20.1 & B1.20.3	
TOL. ON DECIMALS: .XX = ± .02		HEAT TREATMENT	
TOL. ON DECIMALS: .XXX = ± AS SPECIFIED		ENG. REF:	
TOL. ON ANGLES: ± 0°-30'		TITLE	
THIRD ANGLE PROJECTION		Gardner Denver Inc. Quincy, IL HELIFLOW 412 VERTICAL	
DWBY: TAM	12/9/2013	SIZE	310HYC800
CKDBY:	12/9/2013	SCALE	SHEET 1 OF 1