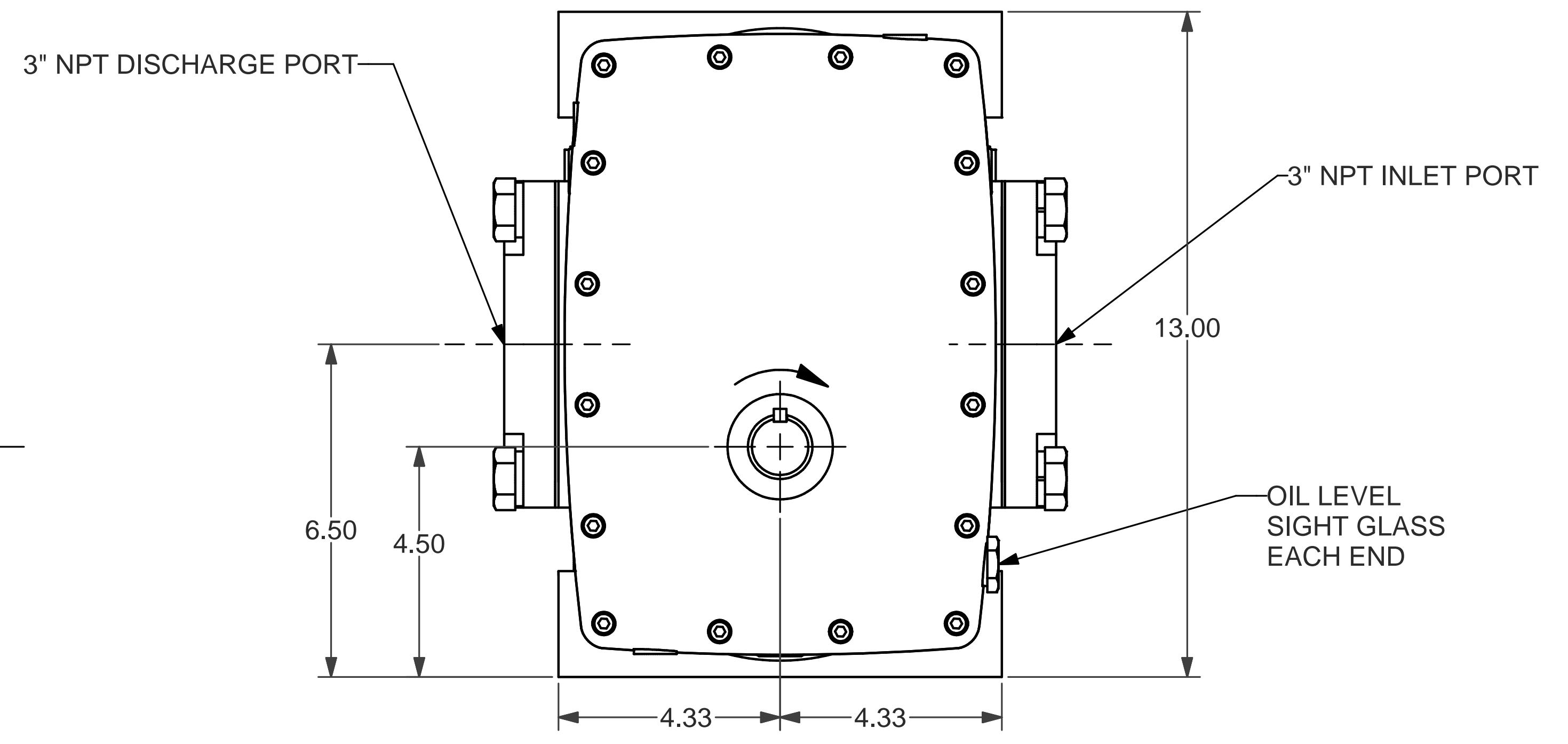
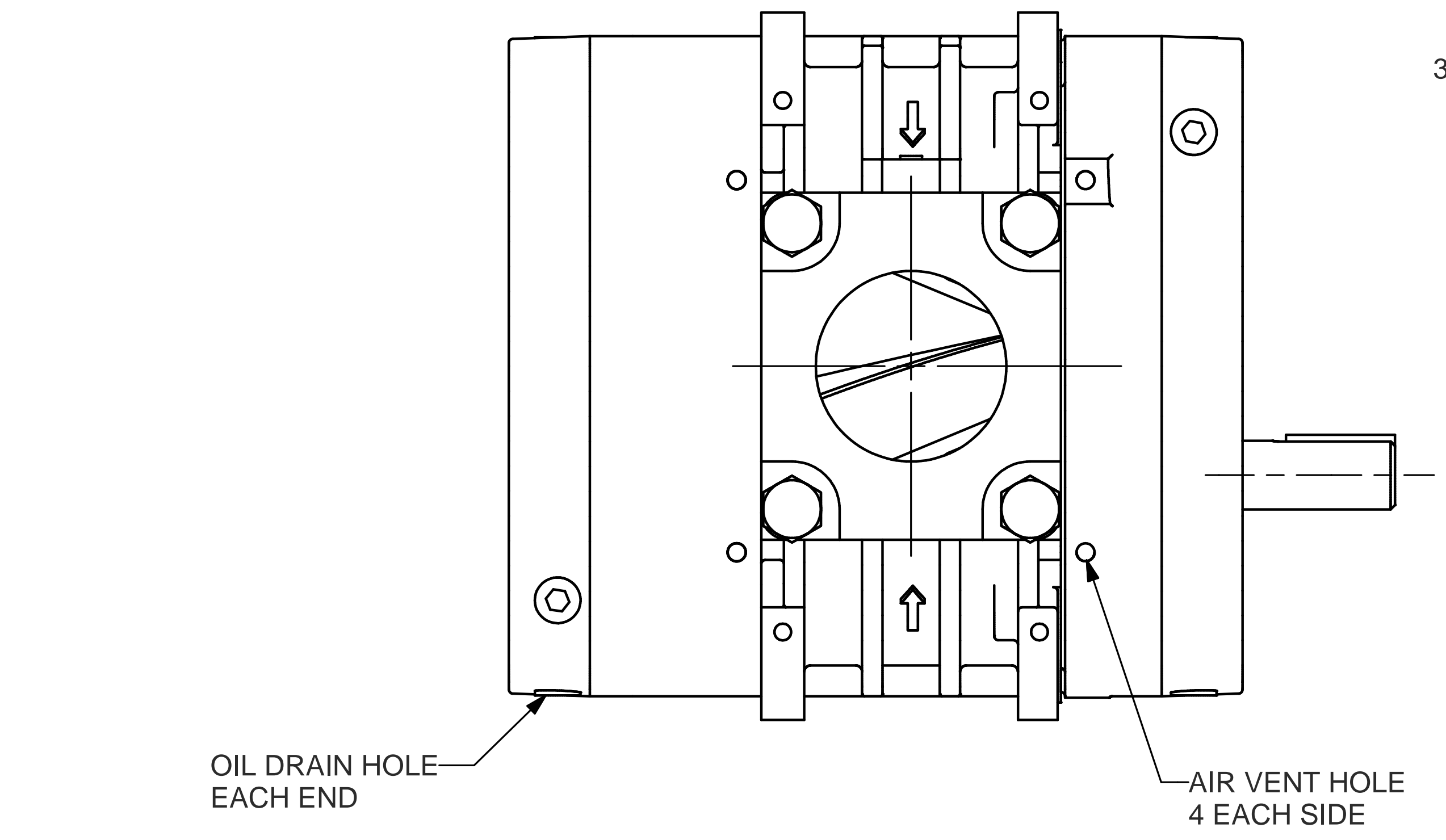
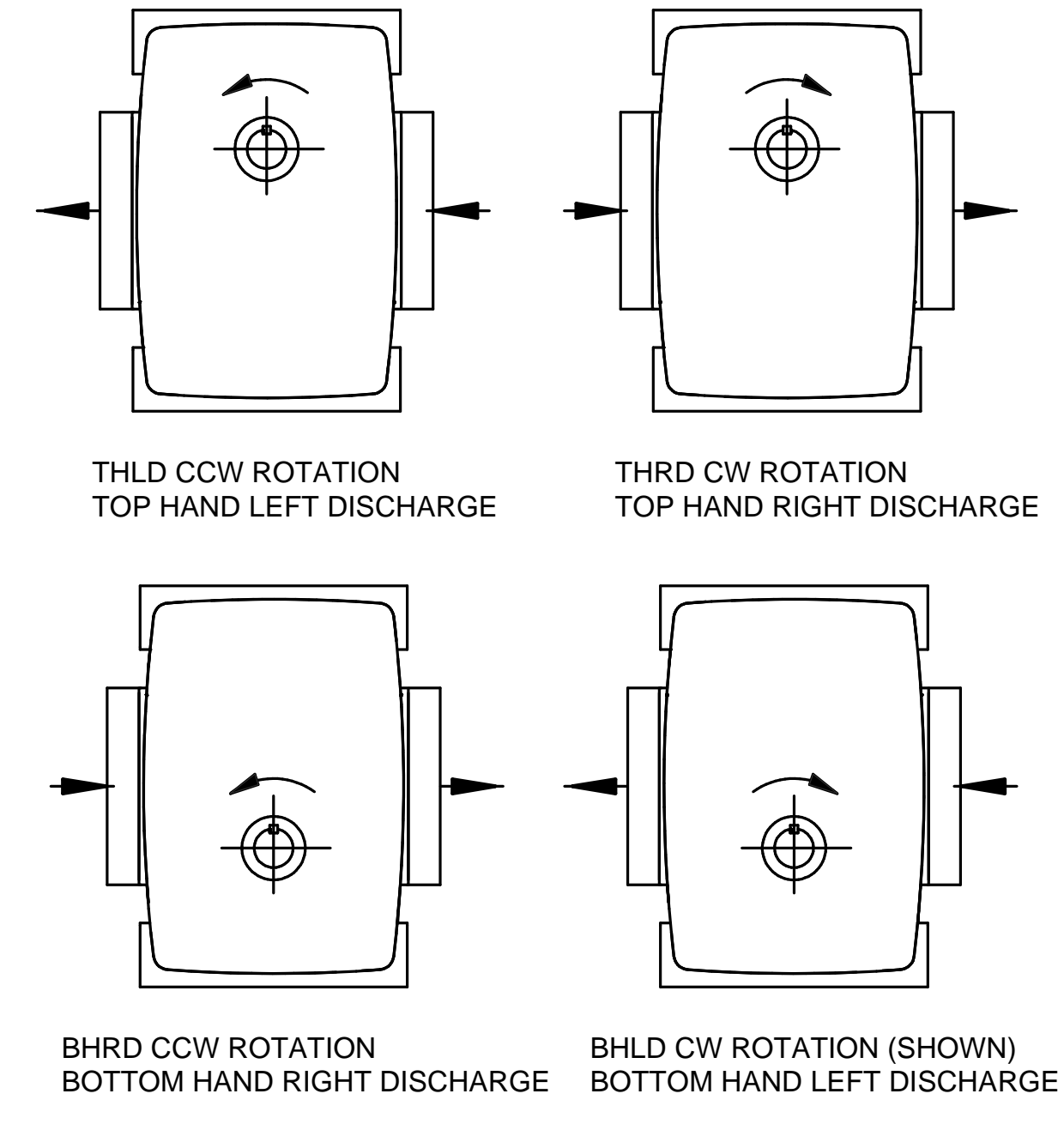
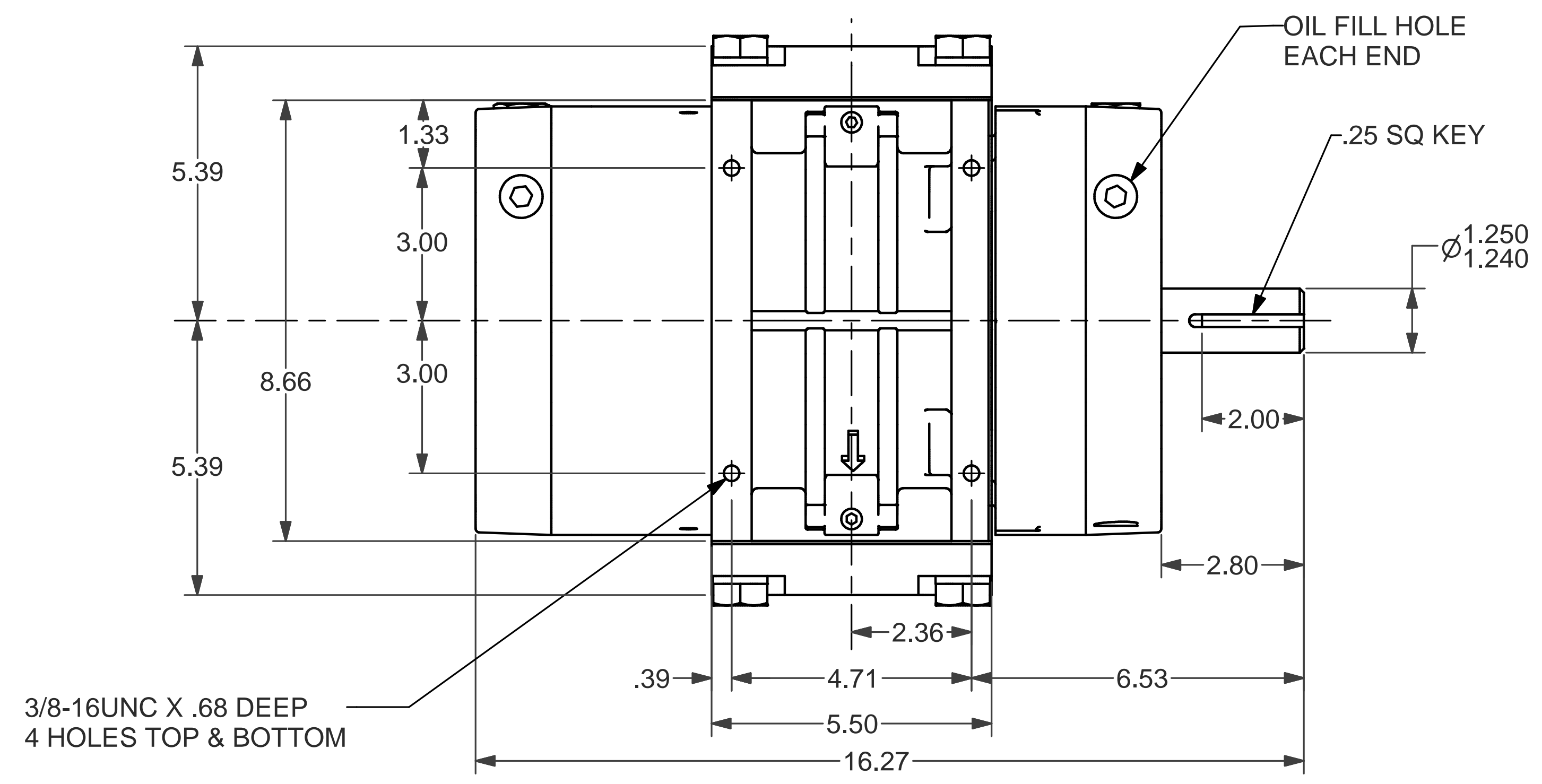


LET	REVISION	DATE	DR.	CK.
A	RELEASED (C/M 1023202)	11/22/04	SLM	SM

GDHF-DIM-406V  
DATE-10/01/07



**C. Emery Nelson, Inc.**  
INDUSTRIAL AND POWER PLANT EQUIPMENT  
7631 Commerce Street, Hamel, MN 55340  
Ph: 763/420-3844 Fax: 763/420-2542

FINISH OF CHAMFERS AND FILLETS TO CONFORM TO ROUGHEST ADJACENT AREA. SURFACE ROUGHNESS MAXIMUM PER ASME B46.1 SPEC. TAP DRILL DEPTHS ARE MAXIMUM. FULL THREAD DEPTHS ARE MINIMUM.		CONFIDENTIAL - THE INFORMATION CONTAINED IN THIS DOCUMENT IS THE PROPERTY OF GARDNER DENVER, INC. IT IS NOT FOR PUBLIC DISCLOSURE. POSSESSION OF THE INFORMATION DOES NOT CONVEY ANY RIGHT TO LOAN, SELL OR DISCLOSE THE INFORMATION. UNAUTHORIZED REPRODUCTION OR USE OF THE INFORMATION IS PROHIBITED. THIS DOCUMENT IS TO BE RETURNED TO GARDNER DENVER, INC. UPON THE COMPLETION OF THE PURPOSE FOR WHICH IT IS LOANED OR UPON REQUEST.	
UNLESS OTHERWISE SPECIFIED DIMENSIONS ARE IN INCHES		DIMENSIONING AND TOLERANCING PER ASME Y14.5M-1994	
TOL. ON DECIMALS: .X = ± .05 TOL. ON DECIMALS: .XX = ± .02 TOL. ON DECIMALS: .XXX = ± .010 TOL. ON ANGLES: ° 0'-30'		HEAT TREATMENT ENG. REF:	
THIRD ANGLE PROJECTION		Gardner Denver Gardner Denver Inc. Peachtree City, GA	
DWN BY SLM 11/22/04 CKD BY SM 11/22/04		TITLE OUTLINE-BARE UNIT HF406 VERT	
SCALE 1/2		PART NO. 306HVC800 REV A	
SHEET 1 OF 1			