

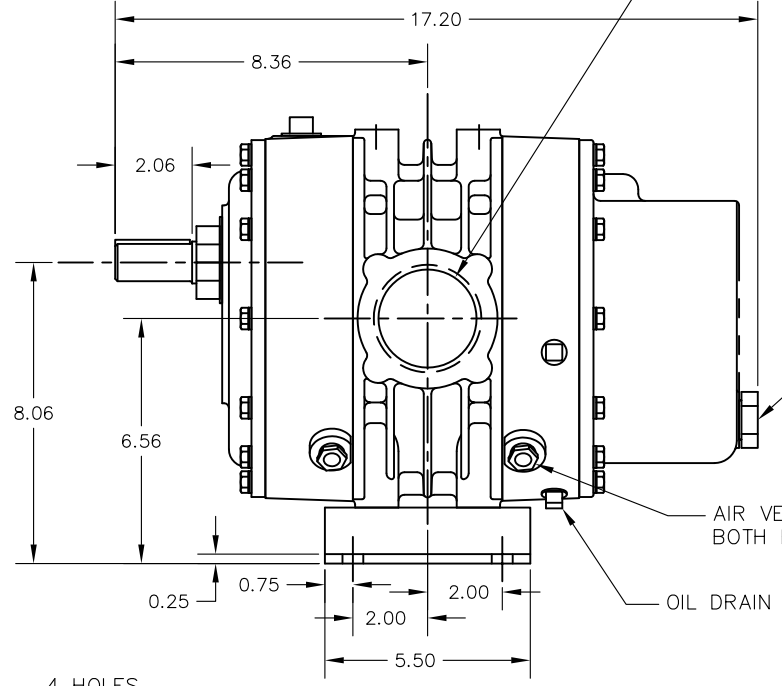
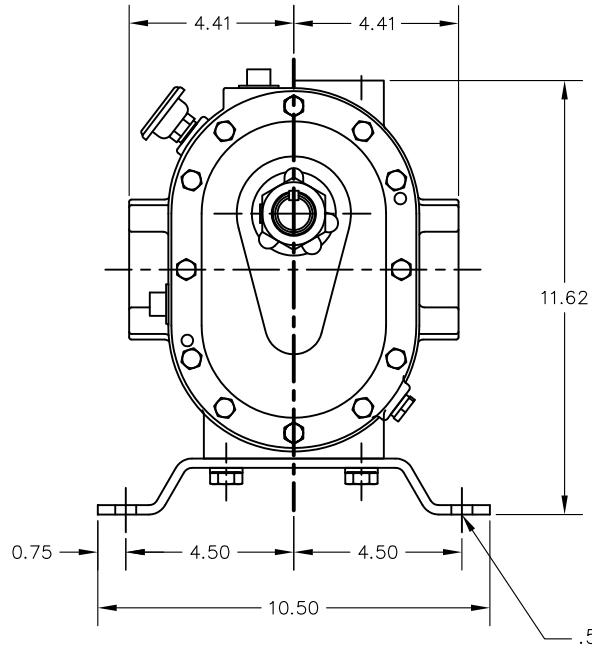
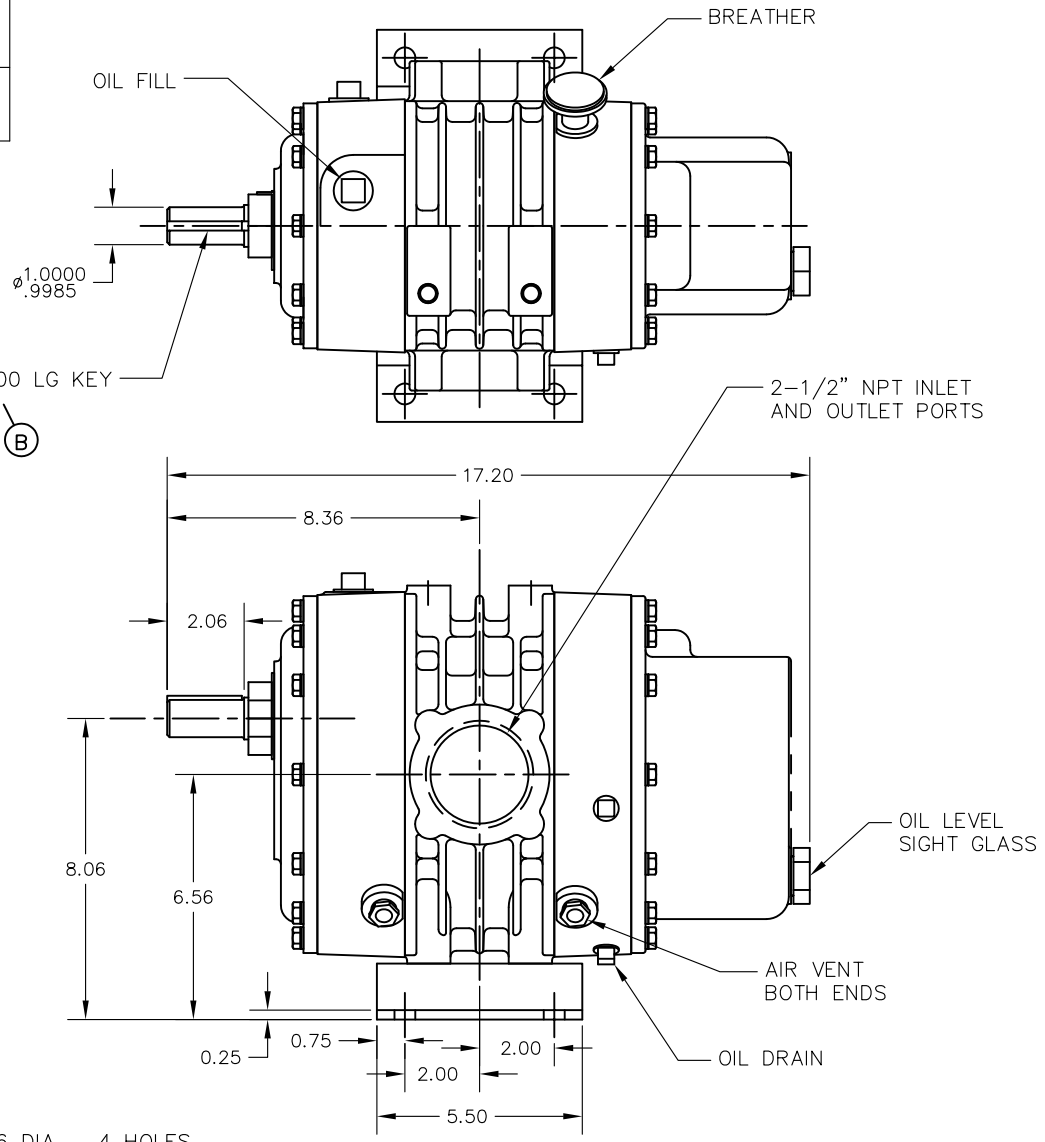
CONSTRUCTION	ROTATION	DISCHARGE PORT
VERTICAL-TOP	CLOCKWISE [CW]	RIGHT
	COUNTER-CLOCKWISE [CCW]	LEFT



**C. Emery Nelson, Inc.**

INDUSTRIAL AND POWER PLANT EQUIPMENT

7631 Commerce Street, Hamel, MN 55340  
Ph: 763/ 420-3844 Fax: 763/420-2542



.25 SQ X 2.00 LG KEY

(B)

Ø 1.0000  
.9985

ESTIMATED WEIGHT - 120 LBS

NOTE: DIMENSIONS ARE +/- .06 INCHES  
UNLESS OTHERWISE SPECIFIED

DIMENSIONS AND TOLERANCING PER ASME Y14.5M-1994

CONFIDENTIAL - THE INFORMATION CONTAINED IN THIS DOCUMENT IS THE PROPERTY OF GARDNER DENVER MACHINERY INC. IT IS NOT FOR PUBLIC DISCLOSURE. POSSESSION OF THE INFORMATION DOES NOT CONVEY ANY RIGHT TO LOAN, SELL OR DISCLOSE THE INFORMATION. UNAUTHORIZED REPRODUCTION OR USE OF THE INFORMATION IS PROHIBITED. THIS DOCUMENT IS TO BE RETURNED TO GARDNER DENVER MACHINERY INC. UPON COMPLETION OF THE PURPOSE FOR WHICH IT IS LOANED OR UPON REQUEST.

TAP DRILL DEPTHS ARE MAXIMUM. FULL THD. DEPTHS ARE MINIMUM.					FINISH OF CHAMFERS & FILLETS TO CONFORM TO ROUGHEST ADJACENT AREA										SURFACE ROUGHNESS MAX. PER ASA SPEC.			
LET.	REVISION	DATE	DR.	CK.	LET.	REVISION	DATE	DR.	CK.	LET.	REVISION	DATE	DR.	CK.				
A	RELEASED (C/M 1018300)																	
B	WAS 1.75 LG. ECN 1027922	10/12/05	TWT	RS														

**Gardner Denver Inc.**  
Peachtree City, Georgia

FOR ALL CURRENT SPECIFICATIONS REFER TO BILL OF MATERIAL			
NAME: <b>OUTLINE-BARE UNIT MODEL 3004 VT</b>			
DR.	SLM	10/14/03	MET. APP.
CK.	SM	10/14/03	ENG. APP.
SCALE: 3/8		-	
HEAT TREAT SPEC.		-	
SHEET 1 OF 1		-	
FILE NO.	C	CAD/CAM	