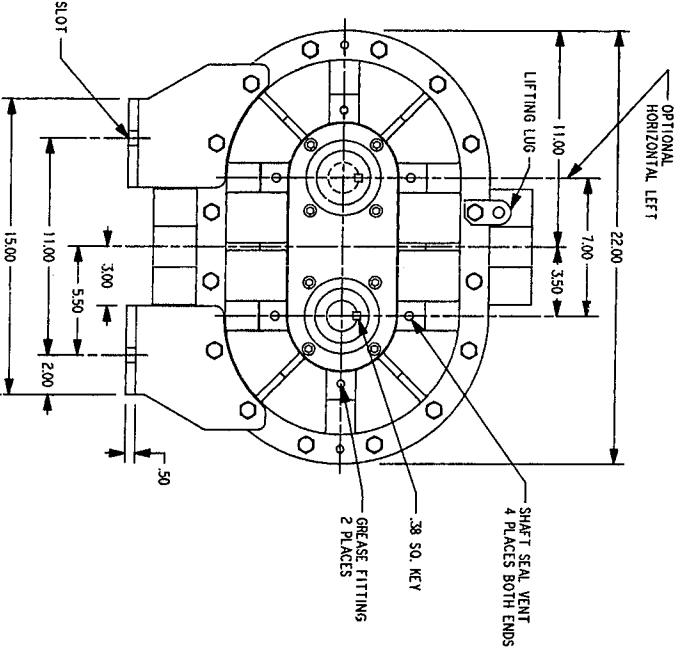
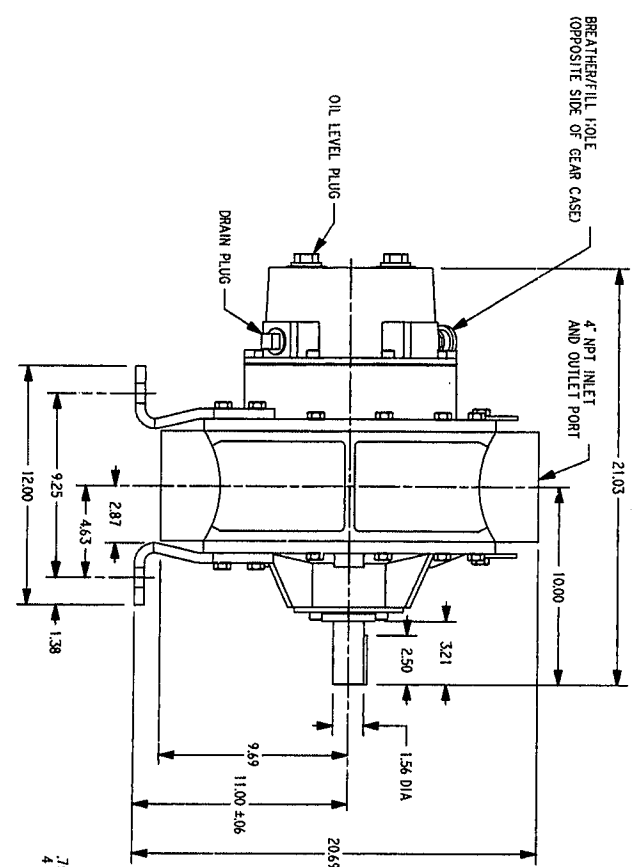




C. Emery Nelson, Inc.

INDUSTRIAL AND POWER PLANT EQUIPMENT

7631 Commerce Street, Hamel, MN 55340
 Ph: 763/420-3844 Fax: 763/420-2542



ESTIMATED WEIGHT - 523 LBS

| CONSTRUCTION | | ROTATION | | DISCH PORT | |
|------------------|----------------|------------------------|----------------|------------------------|-------------|
| HORIZONTAL RIGHT | CLOCKWISE (CW) | COUNTERCLOCKWISE (CCW) | CLOCKWISE (CW) | CLOCKWISE (CW) | BOTTOM SIDE |
| HORIZONTAL LEFT | CLOCKWISE (CW) | COUNTERCLOCKWISE (CCW) | CLOCKWISE (CW) | COUNTERCLOCKWISE (CCW) | TOP SIDE |
| | | | | | BOTTOM SIDE |

1.75 DRILL, DEPTHS AND MATERIALS FOR THE DEPTHS ARE MINIMUM

| LET. | SECTION | DATE | BY | CHK. | LET. | SECTION | DATE | BY | CHK. | LET. | SECTION | DATE | BY | CHK. |
|------|-------------------------|------|----|------|------|---------|------|----|------|------|---------|------|----|------|
| - | RELEASED (ECN 89604043) | | | | | | | | | | | | | |

COMPIETING - THE INFORMATION CONTAINED IN THIS DOCUMENT IS THE PROPERTY OF GARDNER DENVER MACHINERY INC. IT IS NOT FOR PUBLIC DISCLOSURE. POSSESSION OF THIS INFORMATION DOES NOT CONVEY ANY RIGHT TO LOAN, SELL OR DISCLOSE THE INFORMATION. UNAUTHORIZED REPRODUCTION OR USE OF THE INFORMATION IS PROHIBITED. THIS DOCUMENT IS TO BE RETURNED TO GARDNER DENVER MACHINERY INC. UPON COMPLETION OF THE PROJECT FOR WHICH IT IS LOANED OR UPON REQUEST. CONTACT REQUESTOR WITH THE ASL SEC.

UNIT IS DIMENSIONS SPECIFIED WITH DIM INCH

FINISH OF CHAMFER & VILTERS TO CONFORM TO REQUEST INDICATED AREA

STAMPED DIMENSIONS WITH THE ASL SEC.

FOR ALL CURRENT SPECIFICATIONS REFER TO BILL OF MATERIAL

MODEL NO. 75

SCALE 25

DATE 4-15-98

FILE NO. 300GA0800 CAD/CAM

