

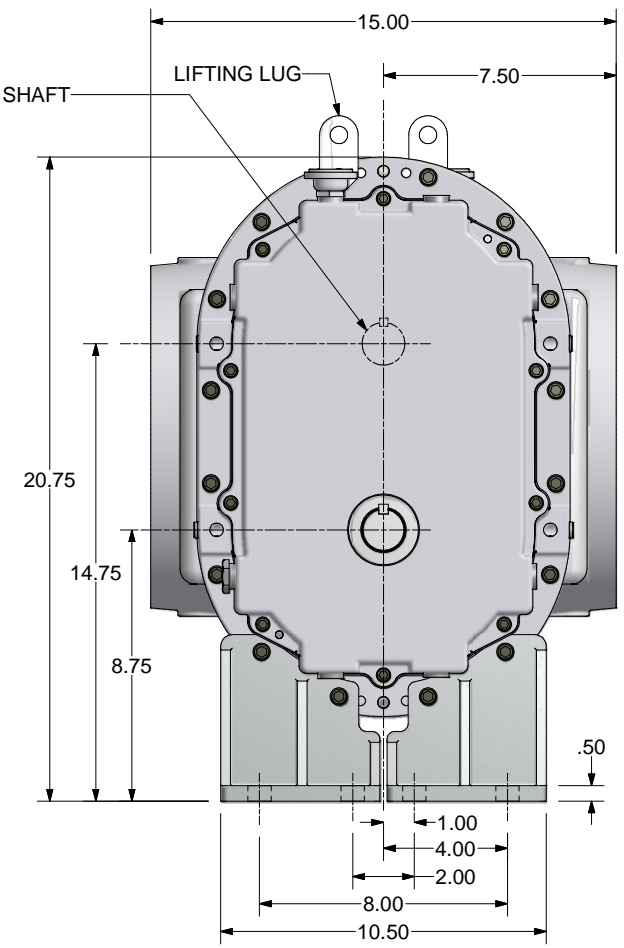
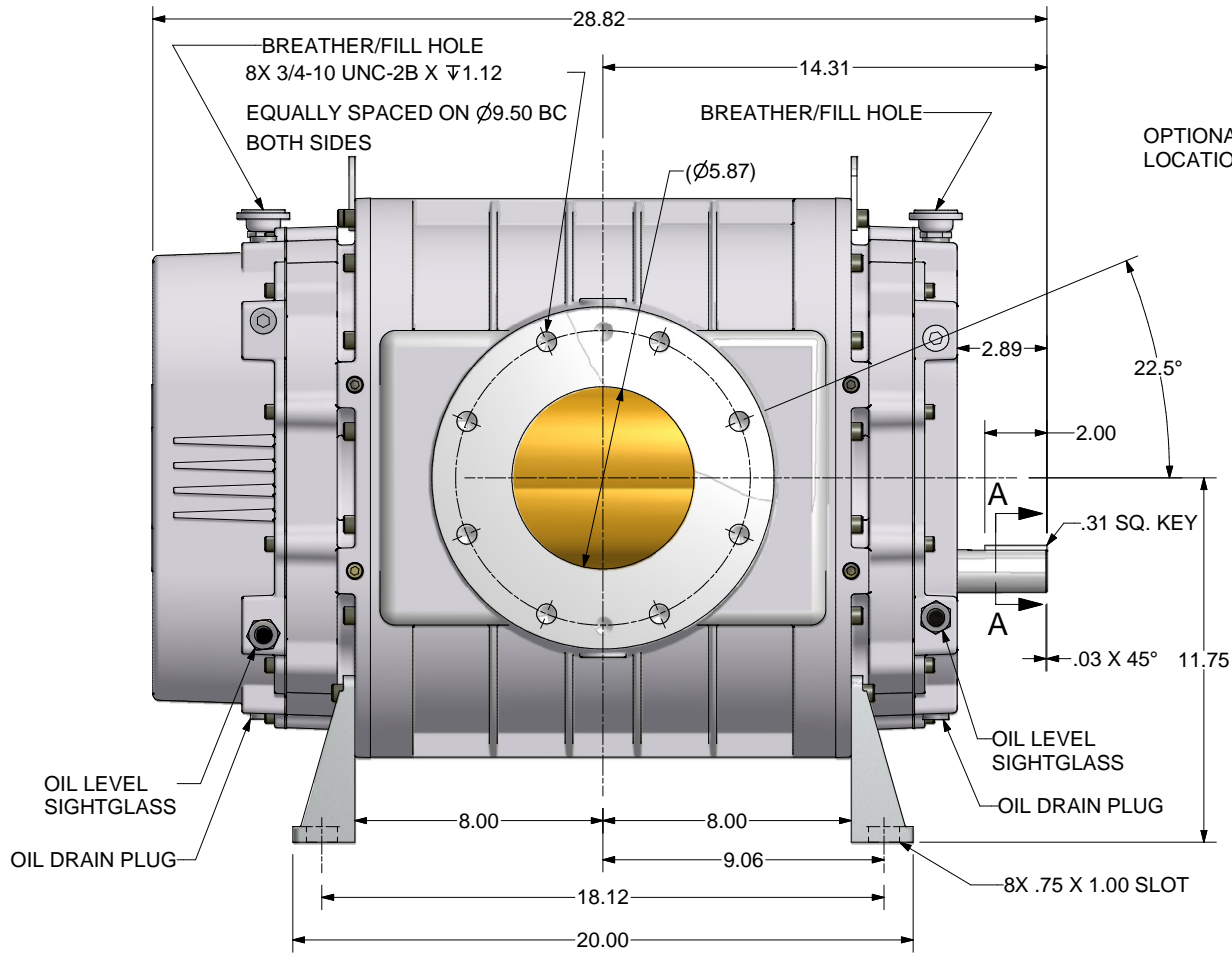


C. Emery Nelson, Inc.

INDUSTRIAL AND POWER PLANT EQUIPMENT

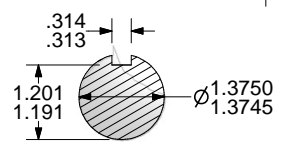
7631 Commerce Street, Hamel, MN 55340
 Ph: 763/420-3844 Fax: 763/420-2542

REVISION HISTORY				
ZONE	REV	DESCRIPTION	DATE	CHK
	A	RELEASED PER ECN 1045005		



ALL ROTATIONS AND PORT LOCATIONS WHEN FACING SHAFT END

CONSTRUCTION	ROTATION	DISCHARGE PORT
VERTICAL BOTTOM	CLOCKWISE (CW)	LEFT SIDE
	COUNTER CLOCKWISE (CCW)	RIGHT SIDE
VERTICAL TOP	CLOCKWISE (CW)	RIGHT SIDE
	COUNTER CLOCKWISE (CCW)	LEFT SIDE



SECTION A-A
SCALE 1 : 1

UNLESS OTHERWISE SPECIFIED DIMENSIONS ARE IN INCHES TOL ON DECIMALS: X = ± .05 TOL ON DECIMALS: XX = ± .02 TOL ON DECIMALS: XXX = ± AS SPECIFIED TOL ON ANGLES: ± 0'-30'	CONFIDENTIAL - THE INFORMATION CONTAINED IN THIS DOCUMENT IS THE PROPERTY OF GARDNER DENVER, INC. IT IS NOT FOR PUBLIC DISCLOSURE. POSSESSION OF THE INFORMATION DOES NOT CONVEY ANY RIGHT TO LOAN, SELL OR DISCLOSE THE INFORMATION. UNAUTHORIZED REPRODUCTION OR USE OF THE INFORMATION IS PROHIBITED. THIS DOCUMENT IS TO BE RETURNED TO GARDNER DENVER, INC. UPON THE COMPLETION OF THE PURPOSE FOR WHICH IT IS LOANED OR UPON REQUEST.	
	DIMENSIONING AND TOLERANCING PER ASME Y14.5M-1994 THREADS PER ASME B1.1 GAGING SYSTEM 21 U.O.S., ANSI B1.20.1 & B1.20.3	
THIRD ANGLE PROJECTION		Gardner Denver Gardner Denver Inc. Quincy, IL DWN BY TAM 3/16/2009 CKD BY RNS 3/16/2009
HEAT TREATMENT ENG. REF:		TITLE: OUTLINE-BARE UNIT 6LVR LEGEND DSL 320GAF800 SCALE: 1/2 SHEET 1 OF 1