

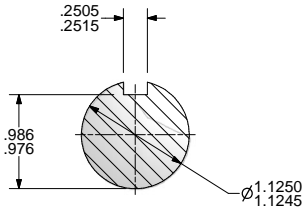
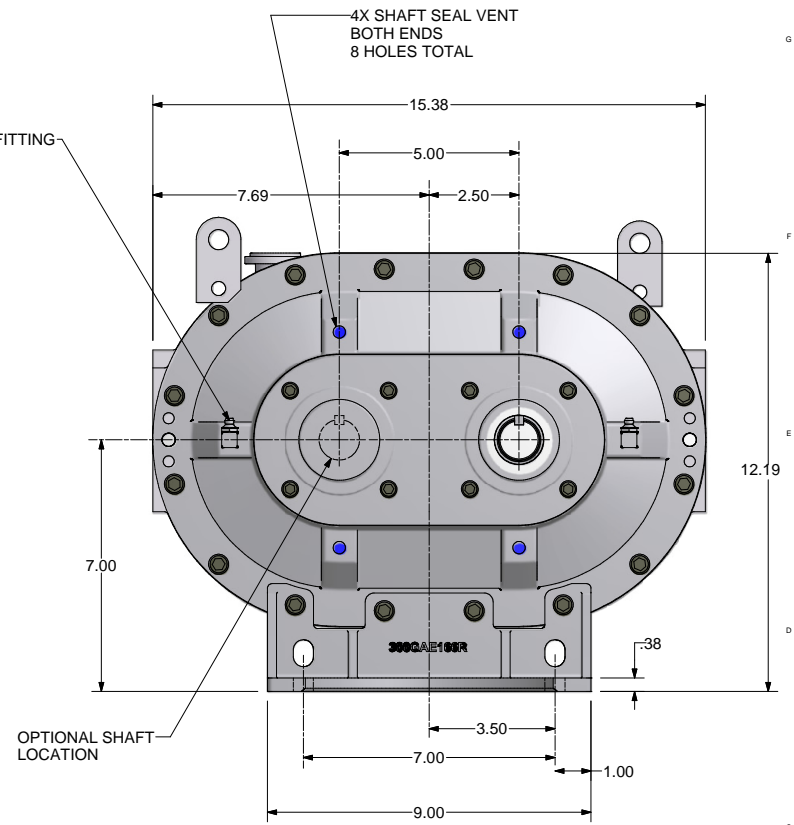
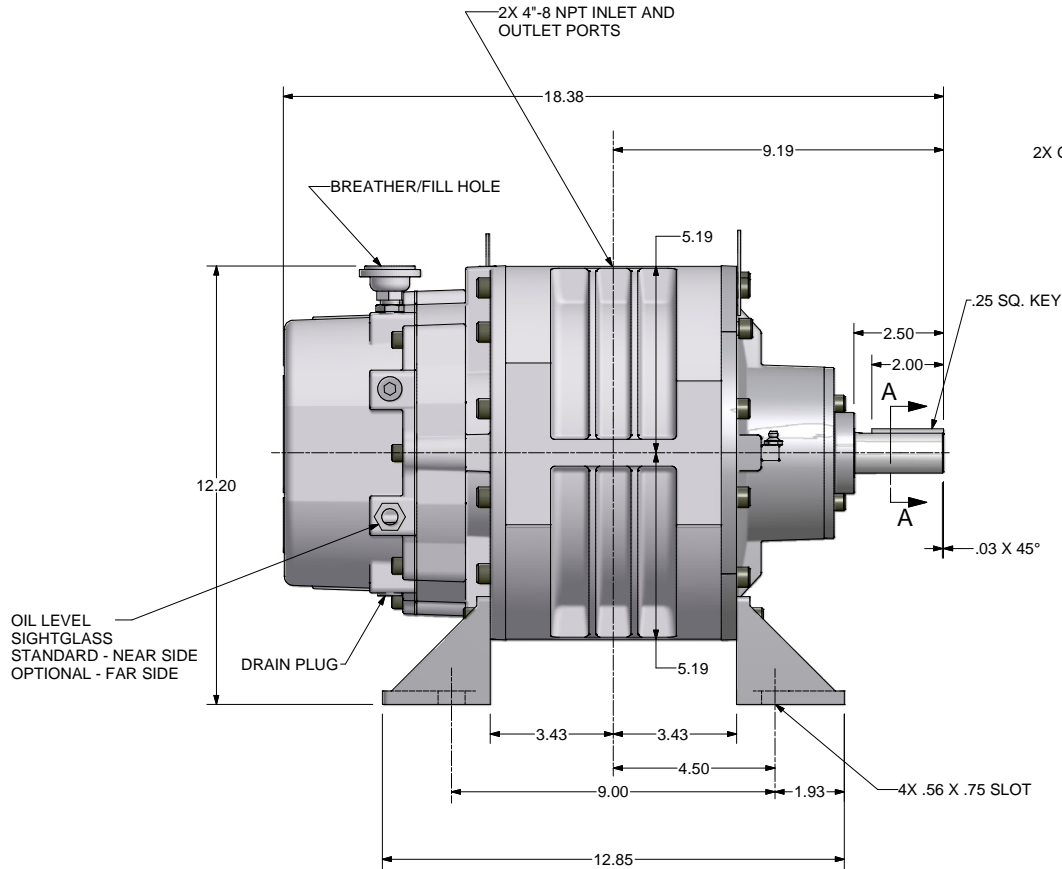


# C. Emery Nelson, Inc.

INDUSTRIAL AND POWER PLANT EQUIPMENT

7631 Commerce Street, Hamel, MN 55340  
 Ph: 763/420-3844 Fax: 763/420-2542

ZONE		REV	DESCRIPTION	DATE	DWN	CHK
		A	RELEASED PER ECN 1041337			
D8		B	ADDED STANDARD AND OPTIONAL NOTE, PER ECN 1050721	03/04/10	MWS	GNN



SECTION A-A  
SCALE 2 : 1

ALL ROTATIONS AND PORT LOCATIONS WHEN FACING SHAFT END

CONSTRUCTION	ROTATION	DISCHARGE PORT
HORIZONTAL RIGHT	CLOCK WISE (CW)	BOTTOM SIDE
	COUNTERCLOCKWISE (CCW)	TOP SIDE
HORIZONTAL LEFT	CLOCKWISE (CW)	TOP SIDE
	COUNTERCLOCKWISE (CCW)	BOTTOM SIDE

CONFIDENTIAL: THE INFORMATION CONTAINED IN THIS DOCUMENT IS THE PROPERTY OF GARDNER DENVER, INC. IT IS NOT FOR PUBLIC DISCLOSURE. POSSESSION OF THE INFORMATION DOES NOT CONVEY ANY RIGHT TO LOAN, REPRODUCE, OR DISCLOSE THE INFORMATION. UNAUTHORIZED REPRODUCTION OR USE OF THE INFORMATION IS PROHIBITED. THIS DOCUMENT IS TO BE RETURNED TO GARDNER DENVER, INC. UPON THE COMPLETION OF THE PURPOSE FOR WHICH IT IS LOANED OR UPON REQUEST.

UNLESS OTHERWISE SPECIFIED DIMENSIONS ARE IN INCHES  
 TOL. ON DECIMALS: .X = ± .05  
 TOL. ON DECIMALS: .XX = ± .02  
 TOL. ON DECIMALS: .XXX = ± .01 AS SPECIFIED  
 TOL. ON ANGLES: ± 0.30

THIRD ANGLE PROJECTION

300GAE100R

DATE: 03/04/10  
 DWG BY: RNS  
 CHECK BY: WSC

HEAT TREATMENT: ENG. REF. A  
 TITLE: OUTLINE-BARE UNIT  
 PART NUMBER: 320GAE800