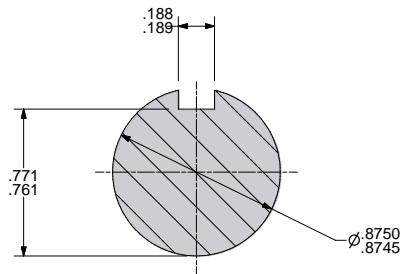
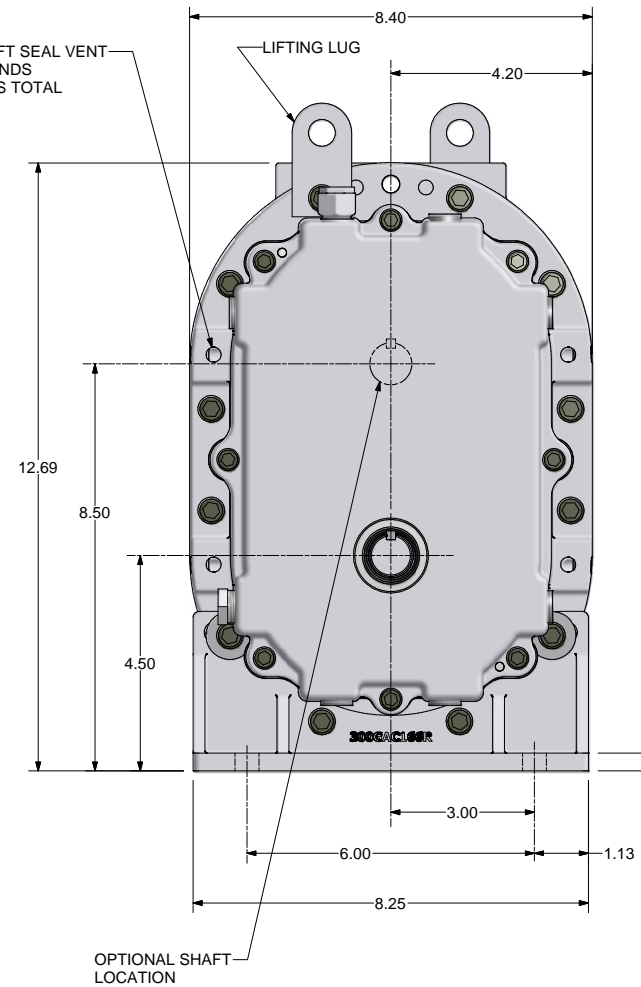
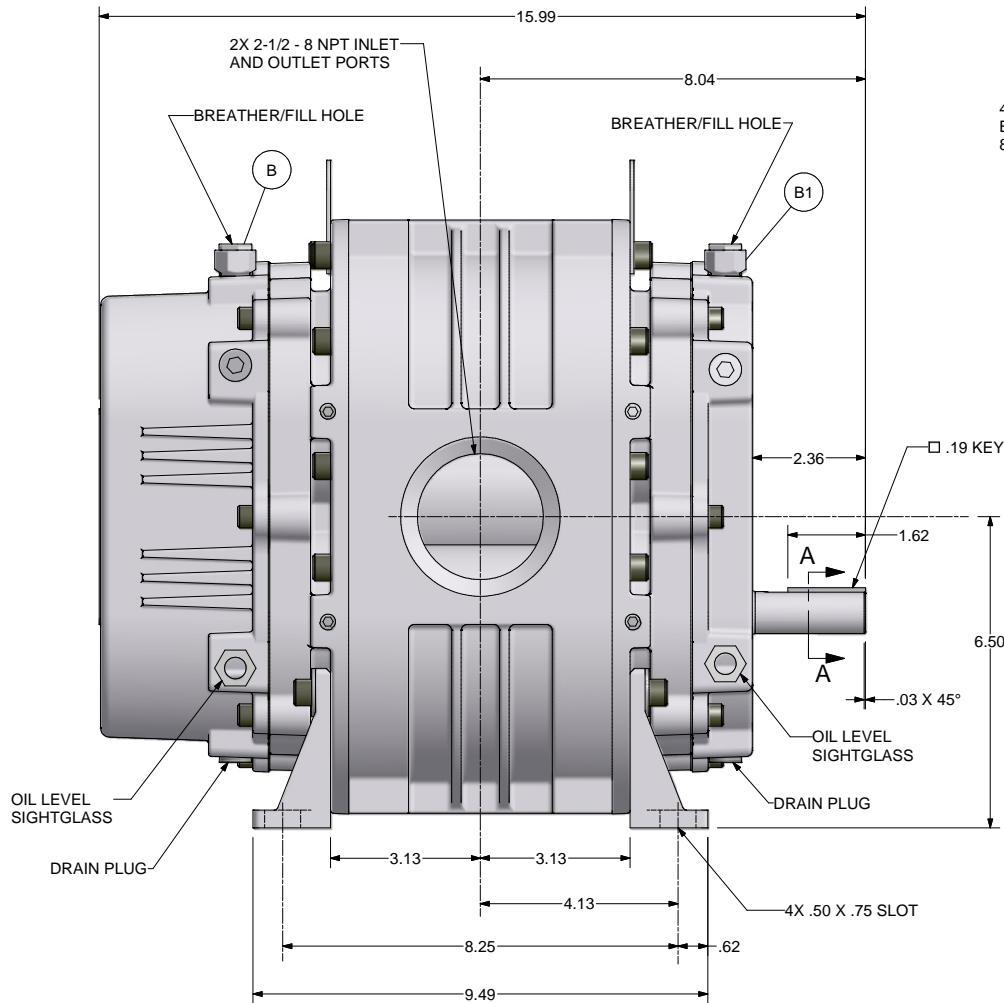


ZONE	REV	DESCRIPTION	DATE	DWN	CHK
	A	RELEASED PER ECN 1042521			
	B	& B1 CHANGED BREATHER STYLE; ECN 1048497	10-20-09	RRB	RNS



SECTION A-A
SCALE 4 : 1

ALL ROTATIONS AND PORT LOCATIONS WHEN FACING SHAFT END

CONSTRUCTION	ROTATION	DISCHARGE PORT
VERTICAL BOTTOM	CLOCK WISE (CW)	LEFT SIDE
	COUNTERCLOCKWISE (CCW)	RIGHT SIDE
VERTICAL TOP	CLOCKWISE (CW)	RIGHT SIDE
	COUNTERCLOCKWISE (CCW)	LEFT SIDE



C. Emery Nelson, Inc.
INDUSTRIAL AND POWER PLANT EQUIPMENT

7631 Commerce Street, Hamel, MN 55340
Ph: 763/ 420-3844 Fax: 763/420-2542

FINISH OF CHAMFERS AND FILLETS TO CONFORM TO ROUGHNESS FINISH AREA. SURFACE ROUGHNESS MAXIMUM PER ASME B46.1. FULL THREAD DEPTH ARE MAXIMUM.		CONFIDENTIAL: THE INFORMATION CONTAINED IN THIS DOCUMENT IS THE PROPERTY OF GARDNER DENVER, INC. IT IS NOT FOR PUBLIC DISCLOSURE. POSSESSION OF THE INFORMATION DOES NOT CONVEY ANY RIGHT TO LOAN, REUSE, OR DISCLOSE THE INFORMATION. UNAUTHORIZED REPRODUCTION OR USE OF THE INFORMATION IS PROHIBITED. THIS DOCUMENT IS TO BE RETURNED TO GARDNER DENVER, INC. UPON THE COMPLETION OF THE PURPOSE FOR WHICH IT IS LOANED OR UPON REQUEST.	
UNLESS OTHERWISE SPECIFIED DIMENSIONS ARE IN INCHES		DIMENSIONING AND TOLERANCING PER ASME Y14.5M-1994	
TOL. ON DECIMALS: .X = ± .05		THREADS PER ASME B1.1 (SAFETY SYSTEM 21 L/D 1.5) ANSI B1.20.1 & B1.20.3	
TOL. ON DECIMALS: .XX = ± .002		HEAT TREATMENT	
TOL. ON DECIMALS: .XXX = ± .001 AS SPECIFIED		TITILE	
TOL. ON ANGLES: ± 0.30°		Gardner Denver Inc. 4MVR LEGEND DSL	
THIRD ANGLE PROJECTION		DWN BY: RRB 9/9/2008	
		E WSC 320GAC800	
		C/D BY: RNS 9/9/2008	