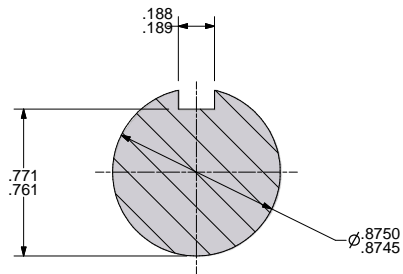
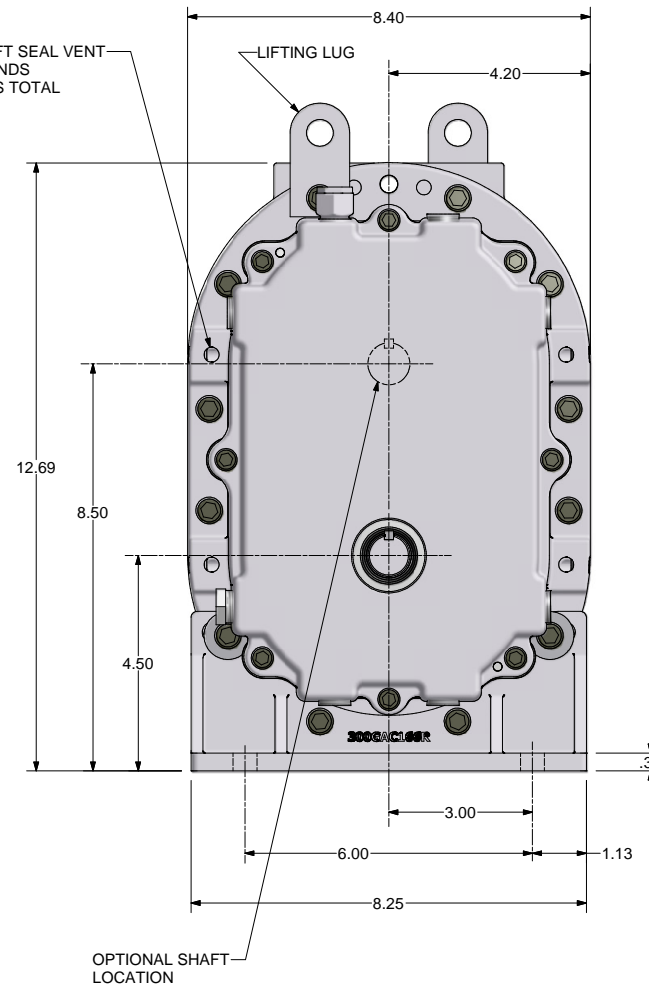
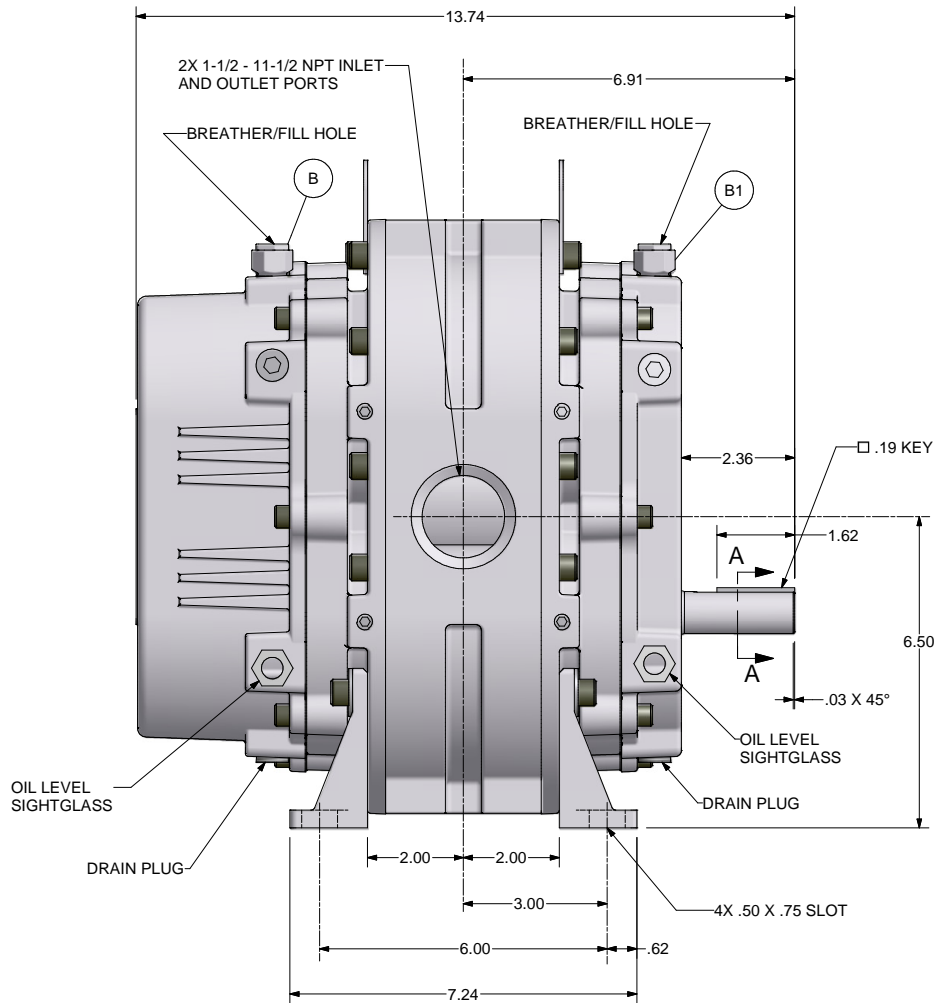


ZONE	REV	DESCRIPTION	DATE	DWN	CHK
	A	RELEASED PER ECN 1042521			
	B	& B1 CHANGED BREATHER STYLE; ECN 1048497	10-20-09	RRB	RNS



SECTION A-A  
SCALE 4 : 1

ALL ROTATIONS AND PORT LOCATIONS WHEN FACING SHAFT END

CONSTRUCTION	ROTATION	DISCHARGE PORT
VERTICAL BOTTOM	CLOCK WISE (CW)	LEFT SIDE
	COUNTERCLOCKWISE (CCW)	RIGHT SIDE
VERTICAL TOP	CLOCKWISE (CW)	RIGHT SIDE
	COUNTERCLOCKWISE (CCW)	LEFT SIDE



**C. Emery Nelson, Inc.**  
INDUSTRIAL AND POWER PLANT EQUIPMENT

7631 Commerce Street, Hamel, MN 55340  
Ph: 763/ 420-3844 Fax: 763/420-2542

UNLESS OTHERWISE SPECIFIED DIMENSIONS ARE IN INCHES		FINISH OF CHAMFERS AND FILLETS TO CONFORM TO ROUGHENED SURFACE AREA. SURFACE ROUGHNESS MAXIMUM PER ASME B46.1. FULL-THREAD DEPTH ARE MAXIMUM.	
TOL. ON DECIMALS: .XX = ± .05	TOL. ON DECIMALS: .XXX = ± .002	TOL. ON DECIMALS: .XXX = ± .002 AS SPECIFIED	TOL. ON ANGLES: ± 0.30°
THIRD ANGLE PROJECTION		DIMENSIONING AND TOLERANCING PER ASME Y14.5M-1994	
Gardner Denver Inc. Quincy, IL		HEAT TREATMENT	
DWN BY: RRB 9/9/2008		TITLE OUTLINE-BARE UNIT	
CVD BY: RNS 9/9/2008		4HR LEGEND DSL	
		WCS 319GAC800	
		FULL	