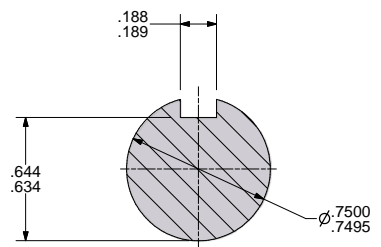
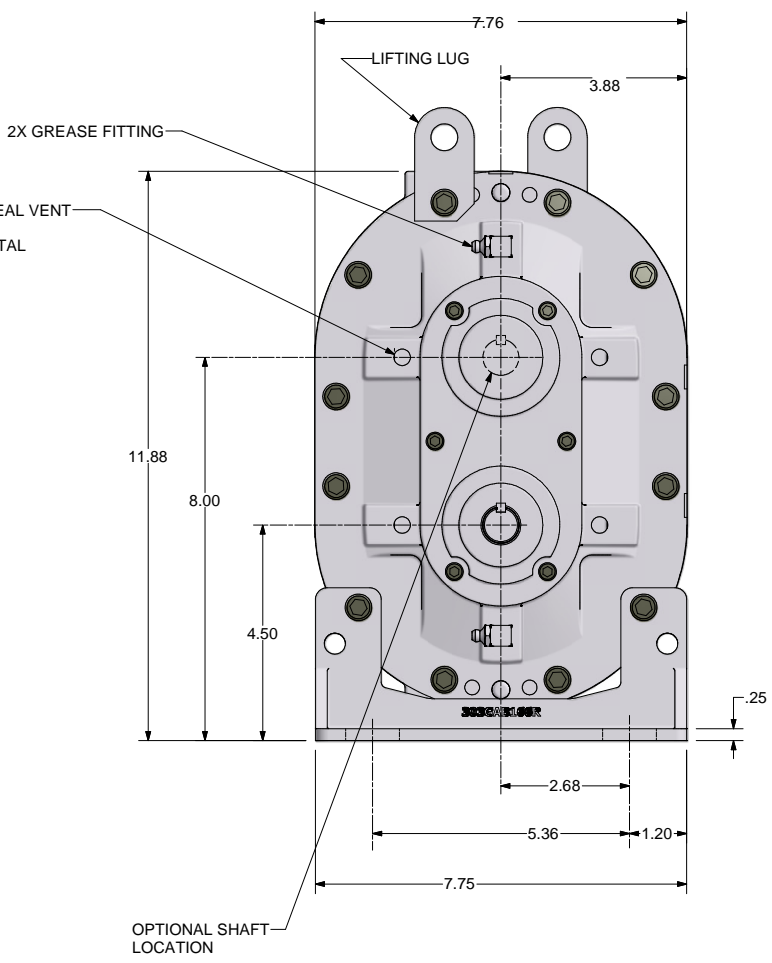
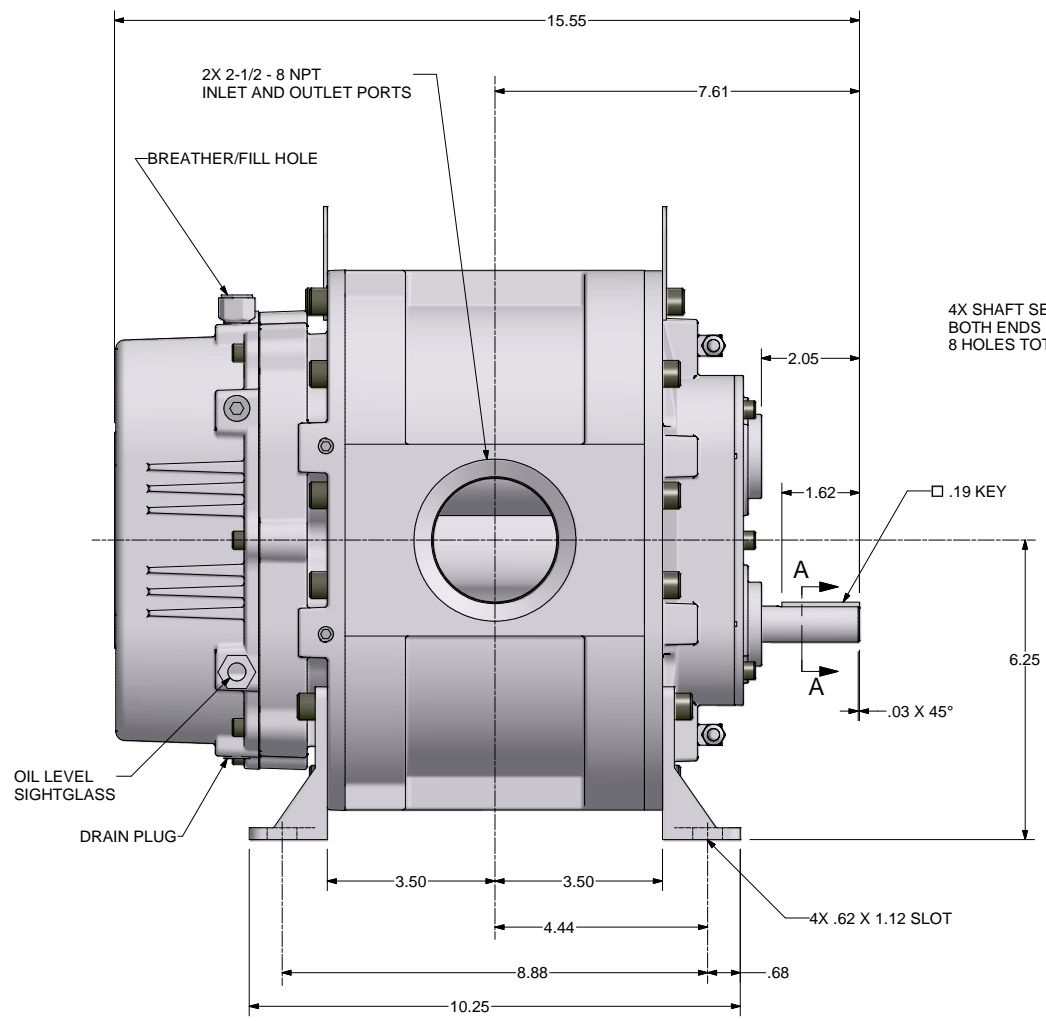


REVISION HISTORY		DATE	DWN	CHK
ZONE	REV	DESCRIPTION		
	A	RELEASED PER ECN 1045640		



SECTION A-A
SCALE 4 : 1

ALL ROTATIONS AND PORT LOCATIONS WHEN FACING SHAFT END

CONSTRUCTION	ROTATION	DISCHARGE PORT
VERTICAL BOTTOM	CLOCK WISE (CW)	LEFT SIDE
	COUNTERCLOCKWISE (CCW)	RIGHT SIDE
VERTICAL TOP	CLOCKWISE (CW)	RIGHT SIDE
	COUNTERCLOCKWISE (CCW)	LEFT SIDE

FINISH OF CHAMBERS AND FLEETS TO CONFORM TO DIMENSIONS SPECIFIED IN INCHES		CONFIDENTIAL: THE INFORMATION CONTAINED IN THIS DOCUMENT IS THE PROPERTY OF GARDNER DENVER, INC. IT IS NOT FOR PUBLIC DISCLOSURE. POSSESSION OF THE INFORMATION DOES NOT CONVEY ANY RIGHT TO LOAN, REPRODUCE, OR DISCLOSE THE INFORMATION. UNAUTHORIZED REPRODUCTION OR USE OF THE INFORMATION IS PROHIBITED. THIS DOCUMENT IS TO BE RETURNED TO GARDNER DENVER, INC. UPON THE COMPLETION OF THE PURPOSE FOR WHICH IT IS LOANED OR UPON REQUEST.	
TOL. ON DECIMALS: .X = ± .05 TOL. ON DECIMALS: .XX = ± .02 TOL. ON DECIMALS: .XXX = ± .01 TOL. ON ANGLES: ± 0.30		DIMENSIONING AND TOLERANCING PER ASME Y14.5M-1994 THREADS PER ASME B1.1 CATALOG SYSTEM 21 UN UNF AND B1.201 & B1.203	
Gardner Denver Inc. Quincy, IL	HEAT TREATMENT	ENG. REF. A	
DWN BY: RNS 4/17/2009 C/D BY: RNS 4/17/2009	TITLE OUTLINE-BARE UNIT	SLVR LEGEND GRS-SPL	
THIRD ANGLE PROJECTION	WCS	325GAB800	