

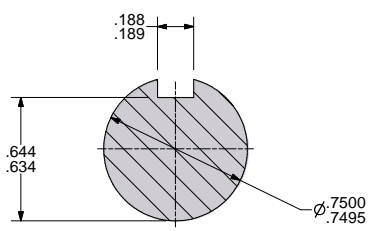
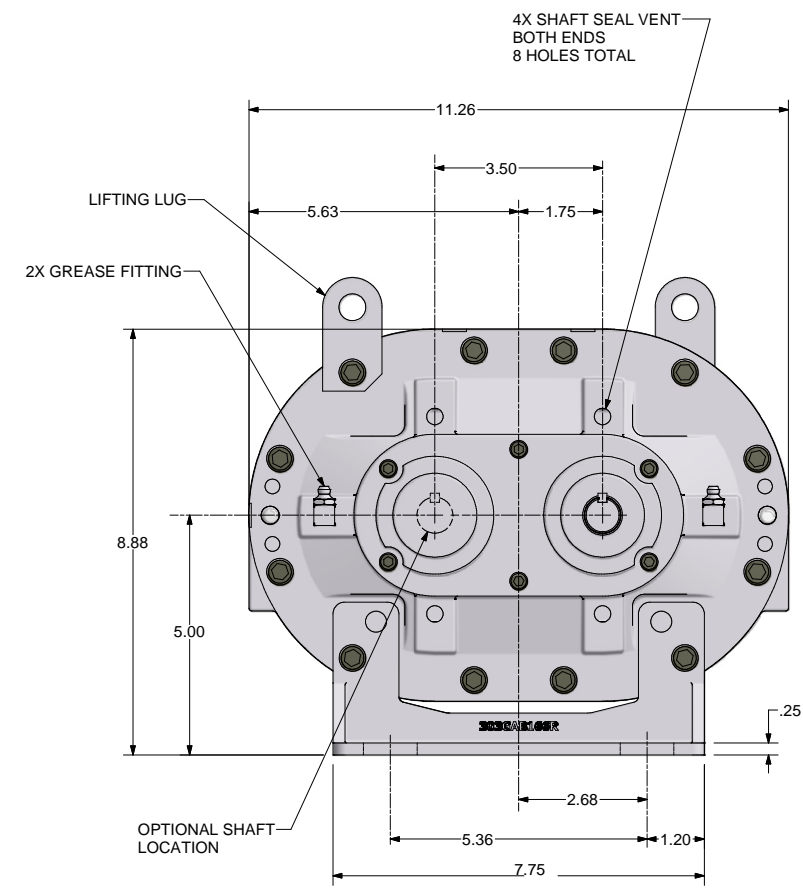
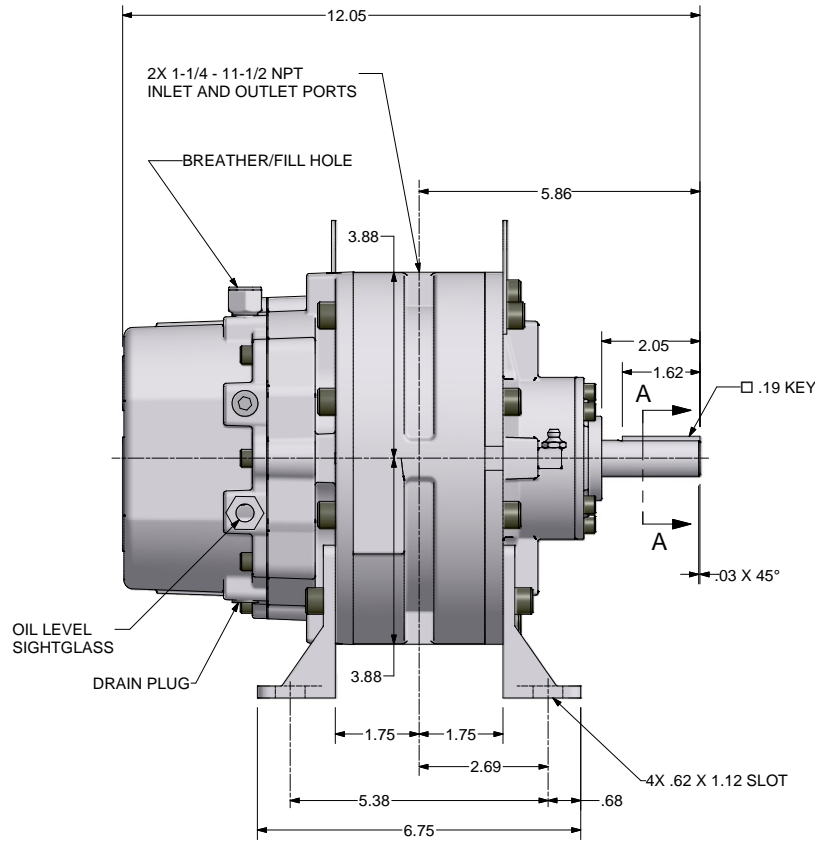
| ZONE | | REVISION HISTORY | | DATE | DWN | CHK |
|------|--------------------------|------------------|--|------|-----|-----|
| A | RELEASED PER ECN 1045640 | | | | | |



C. Emery Nelson, Inc.

INDUSTRIAL AND POWER PLANT EQUIPMENT

7631 Commerce Street, Hamel, MN 55340
 Ph: 763/ 420-3844 Fax: 763/420-2542



SECTION A-A
 SCALE 4 : 1

ALL ROTATIONS AND PORT LOCATIONS WHEN FACING SHAFT END

| CONSTRUCTION | ROTATION | DISCHARGE PORT |
|------------------|------------------------|----------------|
| HORIZONTAL RIGHT | CLOCK WISE (CW) | BOTTOM SIDE |
| | COUNTERCLOCKWISE (CCW) | TOP SIDE |
| HORIZONTAL LEFT | CLOCKWISE (CW) | TOP SIDE |
| | COUNTERCLOCKWISE (CCW) | BOTTOM SIDE |

UNLESS OTHERWISE SPECIFIED DIMENSIONS ARE IN INCHES
 TOL. ON DECIMALS: .X = ± .05
 TOL. ON DECIMALS: .XX = ± .002
 TOL. ON DECIMALS: .XXX = ± .001
 TOL. ON ANGLES: ± 0.30

THIRD ANGLE PROJECTION

CONFIDENTIAL: THE INFORMATION CONTAINED IN THIS DOCUMENT IS THE PROPERTY OF GARDNER DENVER, INC. IT IS NOT FOR PUBLIC DISCLOSURE. POSSESSION OF THE INFORMATION DOES NOT CONVEY ANY RIGHT TO LOAN, REPRODUCE, DISSEMINATE, UNAUTHORIZED REPRODUCTION OR USE OF THE INFORMATION IS PROHIBITED. THIS DOCUMENT IS TO BE RETURNED TO GARDNER DENVER, INC. UPON THE COMPLETION OF THE PURPOSE FOR WHICH IT IS LOANED OR UPON REQUEST.

THREADS PER ASME B1.1 GRADING SYSTEM 21 U.D.13. ANSI B1.20.1 & B1.20.3

HEAT TREATMENT: ENG. REF. A

Gardner Denver
 Quincy, IL

TITLE: OUTLINE-BARE UNIT
 SHR LEGEND GRS:SPL

DWN BY: RNS 4/17/2009
 CTD BY: RNS 4/17/2009

WCS: 320GAB800