

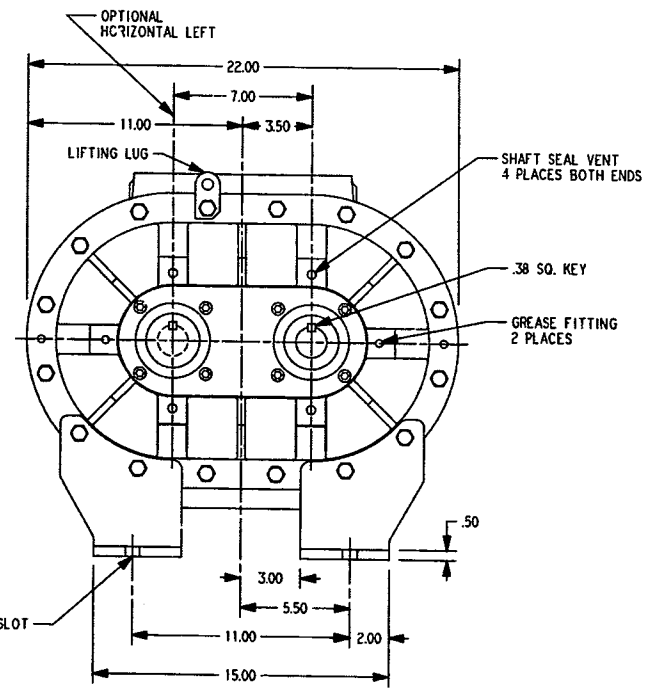
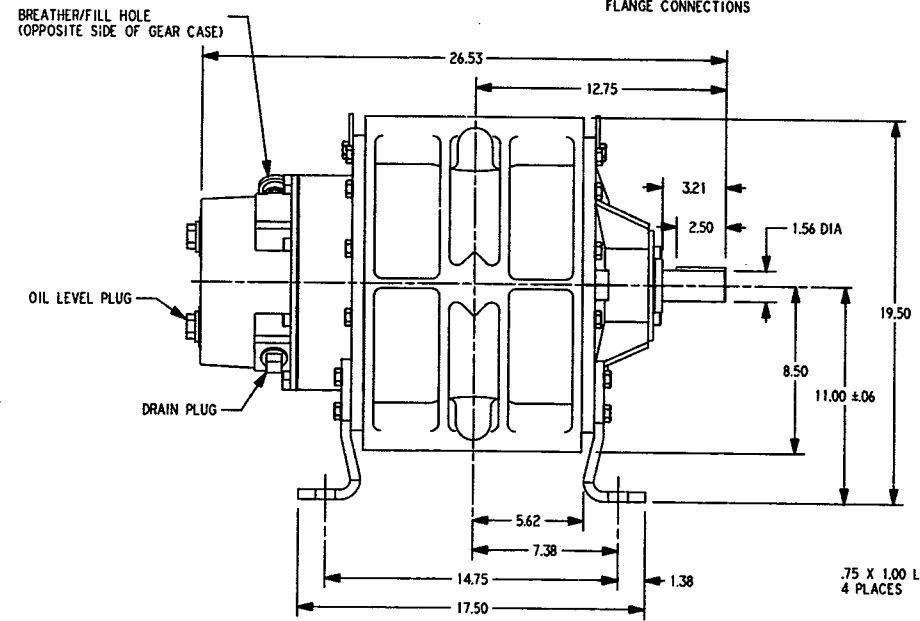
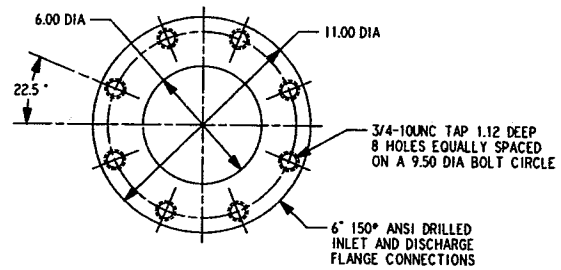


**C. Emery Nelson, Inc.**

INDUSTRIAL AND POWER PLANT EQUIPMENT

7631 Commerce Street, Hamel, MN 55340  
Ph: 763/ 420-3844 Fax: 763/420-2542

CONSTRUCTION	ROTATION	DISCH PORT
HORIZONTAL RIGHT	CLOCKWISE (CW)	BOTTOM SIDE
	COUNTERCLOCKWISE (CCW)	TOP SIDE
HORIZONTAL LEFT	CLOCKWISE (CW)	TOP SIDE
	COUNTERCLOCKWISE (CCW)	BOTTOM SIDE



ESTIMATED WEIGHT - 671 LBS

CONFIDENTIAL - THE INFORMATION CONTAINED IN THIS DOCUMENT IS THE PROPERTY OF GARDNER DENVER MACHINERY INC. IT IS NOT FOR PUBLIC DISCLOSURE. POSSESSION OF THE INFORMATION DOES NOT CONVEY ANY RIGHT TO LOAN, SELL OR DISCLOSE THE INFORMATION. UNAUTHORIZED REPRODUCTION OR USE OF THE INFORMATION IS PROHIBITED. THIS DOCUMENT IS TO BE RETURNED TO GARDNER DENVER MACHINERY INC. UPON COMPLETION OF THE PURPOSE FOR WHICH IT IS LOANED OR UPON REQUEST.

TAP DRILL DEPTHS ARE MAXIMUM. FILL THD DEPTHS ARE MINIMUM				UNLESS OTHERWISE SPECIFIED MACH DIM R2R				FINISH OF CHAMFERS & FILLETS TO CONFORM TO ROUGHEST ADJACENT AREA				SURFACE ROUGHNESS MAX PER ASA SPEC			
REV.	REVISION	DATE	DR.	CK.	LET.	REV.	DATE	DR.	CK.	LET.	REV.	DATE	DR.	CK.	
-	RELEASED (ECN B9604043)														

**Gardner Denver**  
Gardner Denver Machinery Inc.  
Quincy, Illinois

FOR ALL CURRENT SPECIFICATIONS REFER TO BILL OF MATERIAL			
NAME <b>OUTLINE-BARE UNIT</b>			
MODEL <b>MODEL 7M</b>			
DR.	S.M.	4-17-96	INT.
CK.	V5	4-19-96	TRK.
SCALE		25	
PART NO.		3010AG800	
FILE NO. 16 CAD/CAM			